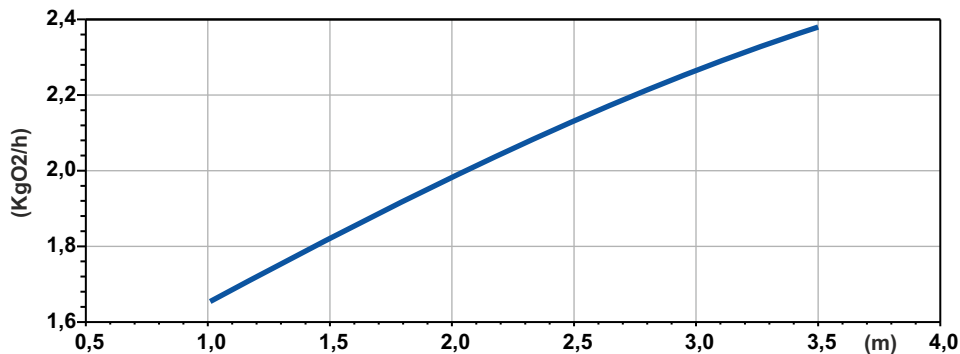
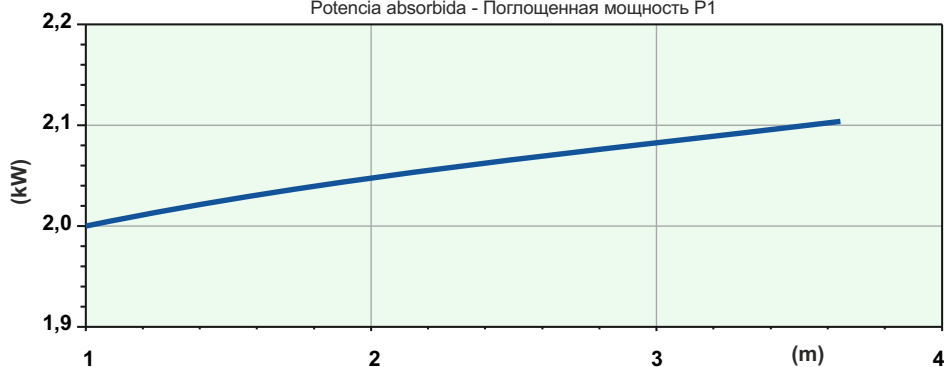


SOTR



Potenza Assorbita - Absorbed Power P1
 Puissance Absorbée - Leistungsaufnahme P1
 Potencia absorbida - Поглощенная мощность P1



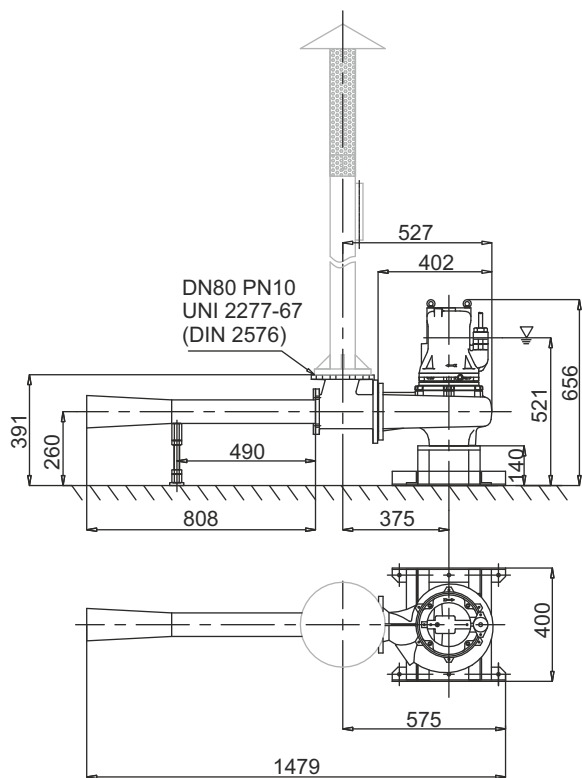
Battente idraulico - Hydraulic head - Charge hydraulique - Hydraulischen Belastung
 Cabezal hidráulico - Аспирированный воздух

OJ 128-80

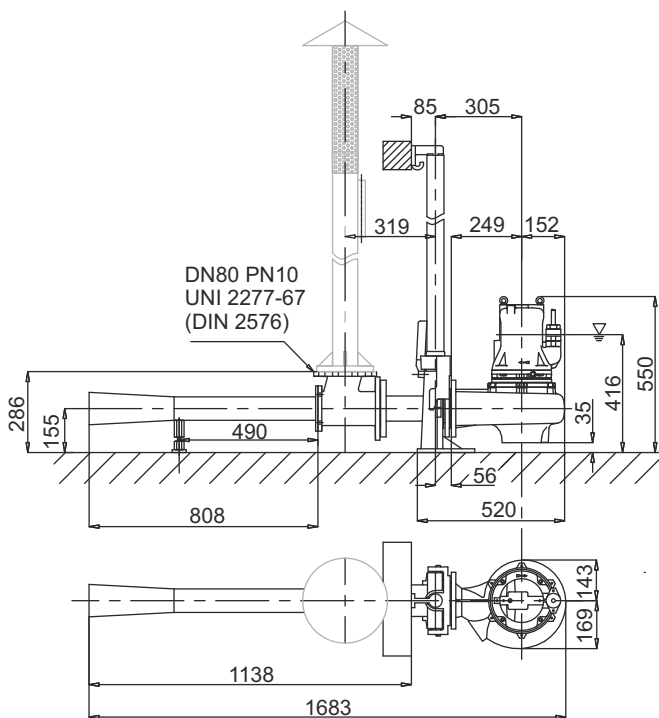
| | |
|--|-----------------|
| Code | 4008136 |
| Type | OJ128-80 |
| Rated Power P2 (kW) | 2,8 |
| Rated Current I (A) | 5,4 |
| Starting Current Is (A) | 24,3 |
| Pump type | G409T1M1-M76AA0 |
| Power supply | 3ph 400V 50Hz |
| R.P.M. | 1392 |
| Free passage (mm) | 76 |
| Suction (mm) | DN 80 |
| Weight (Kg) | 105 |
| Cable | H07RN/F 4G2,5 |
| SOTR OBTAINED FOLLOWING STANDARD UNI EN 12255-15:2004 | |

Dimensioni - Dimensions - Dimensions - Abmessungen - Dimensiones - Габариты (mm)

Standard con piede appoggio - Standard with x-foot rest
 Standard avec socle - Standard mit Bodenstützring
 Estándar con trípode de apoyo - Стандар.свободная установка насоса



Versione con piede di accoppiamento rapido - Coupling foot version
 Version avec pied d'assise - Version mit Kupplungsfuss
 Versión con pie acoplamiento - Versia с автоматической муфтой



LIVELLO MINIMO DI SOMMERGIBILITÀ - MINIMUM SUBMERSIBLE LEVEL - NIVEAU MINIMUM D'IMMERSION
 MINDESTWASSERSTAND - NIVEL SUMERGIBLE MÍNIMO - МИНИМАЛЬНАЯ ГЛУБИНА ПОГРУЖЕНИЯ

