

SUBMERSIBLE MIXERS

Miscelatori sommergibili
Submersible mixers
Agitateurs submersibles
Tauchrührwerke
Agitador sumergible
Погружные смесители

3ph 400V 50Hz

| Code | Type | Absorbed power P1 kW | Propeller diameter mm | Thrust N | Weight Kg | Motor type | Rotation r.p.m. | Motor Rated power kW | Max. I A |
|---------|--------------------|----------------------|-----------------------|----------|-----------|------------------------|-----------------|----------------------|----------|
| 6001408 | GM17A471T1-4V2KA0 | 0,6 | 176 | 120 | 20 | M471T-0,7-400/50NN-IE3 | 1352 | 0,7 | 1,5 |
| 6001412 | GM18B471T1-4V2KA0 | 1,2 | 191 | 220 | 30 | M471T-1,4-400/50NN-IE3 | 1382 | 1,4 | 2,7 |
| 6001431 | GM18B471T1-4T6KA0 | 1,2 | 191 | 220 | 30 | M471T-1,4-400/50NN-IE3 | 1382 | 1,4 | 2,7 |
| 6007801 | GM19B409T1-4T6KA0 | 1,7 | 197 | 275 | 40 | M409T-2,3-400/50NN-IE3 | 1382 | 2,3 | 4,4 |
| 6001521 | GM30A609T1-4T6KA0 | 2 | 300 | 300 | 44 | M609T-2,3-400/50NN-IE3 | 931 | 2,3 | 5 |
| 6001522 | GM30B610R1-4T6KA2 | 2,5 | 300 | 320 | 57 | M610T-3,2-400/50YY-IE3 | 931 | 3,2 | 6,9 |
| 6009060 | GM37B810R1-4T6KA2 | 1,6 | 370 | 385 | 58 | M810T-2-400/50YY-IE | 696 | 2 | 5,1 |
| 6001519 | GM40B813R1-4T6KA2 | 2,2 | 400 | 420 | 114 | M813T-2,5-400/50YY-IE | 696 | 2,5 | 6,2 |
| 6002688 | GM40B813R2-4T6KA2 | 3,3 | 400 | 650 | 114 | M813T-3,7-400/50YY-IE | 701 | 3,7 | 8,9 |
| 6008654 | GM40B813R3-4T6SA2 | 4,3 | 400 | 780 | 125 | M813T-5,2-400/50YY-IE | 706 | 5,2 | 12,1 |
| 6002689 | GM60B1216R1-4T1KA2 | 5,1 | 600 | 1040 | 240 | M1216T-7,5-400/50YY-IE | 461 | 7,5 | 18,6 |
| 6002594 | GM60B1216R2-4T1KA2 | 7 | 600 | 1500 | 240 | M1216T-7,5-400/50YY-IE | 461 | 7,5 | 18,6 |
| 6004979 | GM60B1216R3-4T1KA2 | 9,7 | 600 | 1850 | 240 | M1216T-12-400/50YY-IE | 475 | 12 | 28,4 |
| 6002161 | GM60B1016R3-4C1KA2 | 9,8 | 600 | 2275 | 275 | M1016T-12-400/50YY-IE | 549 | 12 | 26,5 |
| 6001402 | XM17A472T1-6V2LA4 | 0,6 | 176 | 120 | 20 | M472T-0,7-400/50NN-IE3 | 1352 | 0,7 | 1,5 |
| 6001980 | XM18B471T1-6T6LA4 | 1,2 | 191 | 220 | 30 | M471T-1,4-400/50NN-IE3 | 1382 | 1,4 | 2,7 |
| 6007802 | XM19B409T1-6T6LA4 | 1,7 | 197 | 275 | 46 | M409T-2,3-400/50NN-IE3 | 1382 | 2,3 | 4,4 |
| 6005353 | XM30A609T1-6T6LA4 | 2 | 300 | 300 | 50 | M609T-2,3-400/50NN-IE3 | 931 | 2,3 | 5 |
| 6005504 | XM30B610R1-6T6LA5 | 2,5 | 300 | 320 | 65 | M610T-3,2-400/50YY-IE3 | 931 | 3,2 | 6,9 |
| 6001202 | XM37B810R1-6T6LA5 | 1,6 | 370 | 385 | 68 | M810T-2-400/50YY-IE | 696 | 2 | 5,1 |
| 6007884 | XM40B813R1-6T6LA5 | 2,2 | 400 | 420 | 114 | M813T-2,5-400/50YY-IE | 696 | 2,5 | 6,2 |
| 6001520 | XM40B813R2-6T6LA5 | 3,3 | 400 | 650 | 114 | M813T-3,7-400/50YY-IE | 701 | 3,7 | 8,9 |
| 6008649 | XM40B813R3-6T6SA5 | 4,3 | 400 | 780 | 125 | M813T-5,2-400/50YY-IE | 706 | 5,2 | 12,1 |
| 6001478 | XM60B1216R1-6T1LA5 | 5,1 | 600 | 1040 | 245 | M1216T-7,5-400/50YY-IE | 461 | 7,5 | 18,6 |
| 6001480 | XM60B1216R2-6T1LA5 | 7 | 600 | 1500 | 245 | M1216T-7,5-400/50YY-IE | 461 | 7,5 | 18,6 |
| 6001518 | XM60B1216R3-6T1LA5 | 9,7 | 600 | 1850 | 245 | M1216T-12-400/50YY-IE | 475 | 12 | 28,4 |
| 6003408 | XM60B1016R3-6C1LA5 | 9,8 | 600 | 2275 | 280 | M1016T-12-400/50YY-IE | 549 | 12 | 26,5 |
| 6001805 | GR12B410R3-4T1AA2 | 2,7 | 1200 | 1350 | 115 | M410T-3,5-400/50YY-IE3 | 1392 | 3,5 | 6,8 |

Prestazioni rilevate secondo ISO21630:2007 - Operating data obtained in accordance to ISO21630:2007 - Performances relevées selon norme ISO21630:2007 - Leistungsdaten erhoben gemäß der norm ISO21630:2007 - Производительность соответствующая согласно ISO21630:2007

GM18₁ Ø 180 mm

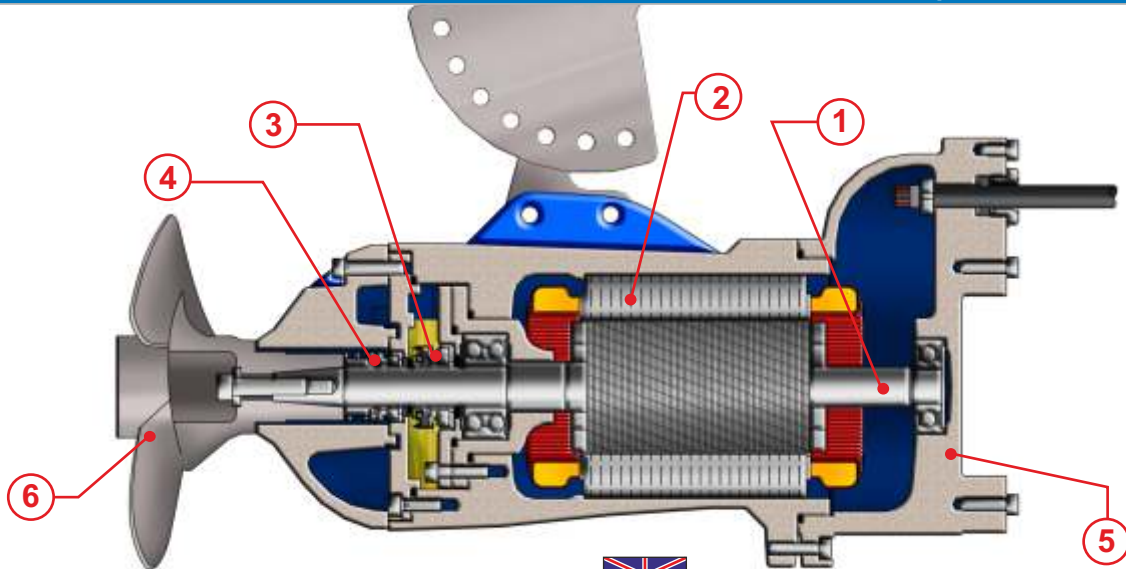


- Miscelatori sommersibili**
- Agitateurs submersibles**
- Agitador sumergible**

- Submersible mixers**
- Tauchrührwerke**
- Погружные смесители**

| Code | Type | Absorbed power P1 kW | Propeller diameter mm | Thrust N | Weight Kg | Motor Rated | | |
|--|--------------------------|----------------------|-----------------------|----------|-----------|-------------|----------|-----------|
| | | | | | | RPM | Power kW | Current A |
| 6001412 | GM18B471T1-4V2KA0 | 1,2 | 191 | 220 | 30 | 1382 | 1,4 | 2,7 |
| Con anello convogliatore - With jet ring - Concentrateur de flux Mit Strömungsring - Anillo de chorro - С конвейерным кольцом | | | | | | | | |
| 6008138 | GM18B471T1-4W2KA0 | 0,9 | 191 | 170 | 33 | 1352 | 1,1 | 2,4 |

Materiali - Materials - Matériaux - Werkstoffe - Materiales - Материалы



- 1) Alberi realizzati in acciaio inossidabile AISI 431.
- 2) Motore asincrono trifase 4 poli, classe d'isolamento H(180°C).
- 3) Tenuta superiore: ceramica/grafite.
- 4) Tenuta inferiore: carburo di Silicio/carburo di silicio.
- 5) Fusioni: Ghisa EN-GJL-250
- 6) Elica: Acciaio inossidabile AISI316L



- 1) Shafts realized in stainless steel AISI 431.
- 2) Motor asynchronous threephase 4 poles, insulation class H(180°C).
- 3) Upper seal: ceramic/graphite.
- 4) Lower seal: silicon carbide/silicon carbide.
- 5) Housing: Cast Iron EN-GJL-250
- 6) Propeller: Stainless steel AISI316L



- 1) Les arbres sont réalisés en acier inoxydable AISI 431.
- 2) Moteur asynchrone triphasé 4 pôles, classe d'isolation H(180°C).
- 3) Garniture supérieure : mécanique, céramique/carbone.
- 4) Garniture inférieure: mécanique, carbure de silicium/carbure de silicium.
- 5) Moulures: Fonte EN-GJL-250
- 6) Hélice: Acier inoxydable AISI316L



- 1) Welle aus Edelstahl AISI 431.
- 2) Motor Asynchronmotor dreiphasig 4-polig, Isolationsklasse H(180°C).
- 3) Obere Dichtung: Gleitringdichtung Kohle/Keramik.
- 4) Untere Dichtung: Gleitringdichtung Siliziumkarbid / Siliziumkarbid.
- 5) Motorgehäuse: Grauguss EN-GJL-250
- 6) Propeller: Edelstahl AISI316L

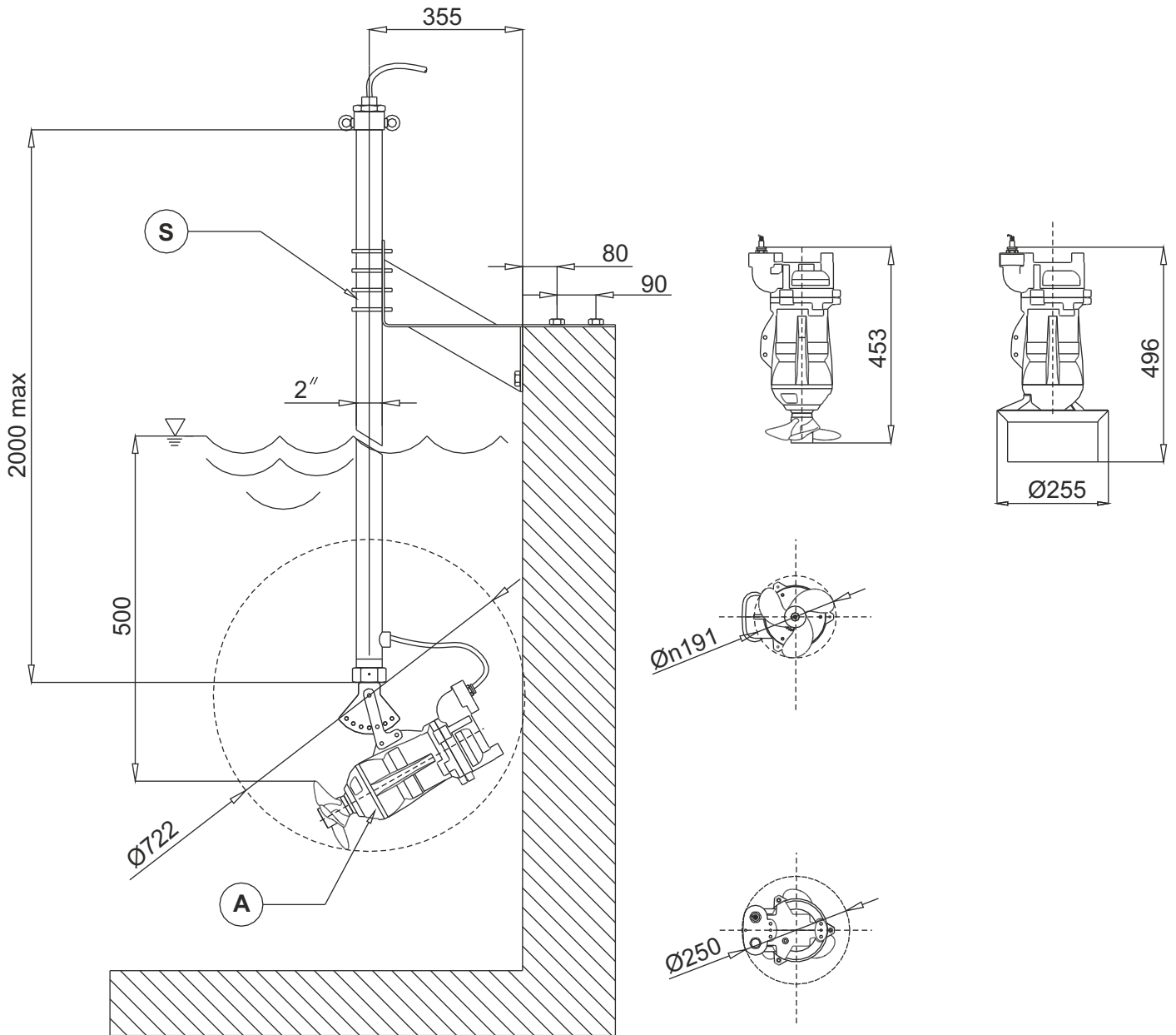


- 1) Ejes realizados en acero inoxidable AISI 431.
- 2) Motor asincrónico trifásico 4 polos, aislamiento H(180°C).
- 3) Sellado/precintado superior: grafito de cerámica.
- 4) Sellado/precintado inferior: carburo y silicio/carburo y silicio.
- 5) Aleaciones: Hierro fundido EN-GJL-250
- 6) Hélice: Acero inoxidable AISI316L



- 1) Валы реализованы из нержавеющей стали AISI 431
- 2) Асинхронный двигатель трёхфазный 4 поля, класс изоляции H(180°C)
- 3) Верхнее уплотнение: керамика/графит
- 4) Нижнее уплотнение: Карбид кремния / Карбид кремния
- 5) Сплавы: Чугун -GJL-250
- 6) Пропеллер: нержавеющая сталь AISI 316L

Dimensioni - Dimensions - Dimensions - Abmessungen - Dimensiones - Габариты



▽ LIVELLO MINIMO DI SOMMERSIBILITÀ
 MINIMUM SUBMERSIBLE LEVEL
 NIVEAU MINIMUM D'IMMERSION
 MINDESTWASSERSTAND
 NIVEL SUMERGIBLE MÍNIMO
 МИНИМАЛЬНАЯ ГЛУБИНА ПОГРУЖЕНИЯ

| Pos | Code | Description | Material |
|-----|--------------|---|---|
| A | 6001412 | Miscelatore sommersibile Submersible mixer Agitateur submersible Tauchrührwerk Mezcladores sumergibles Погружной смеситель | Ghisa EN-GJL-250 Cast iron EN-GJL-250 Fonte EN-GJL-250 Grauguss EN-GJL-250 hierro fundido EN-GJL-250 Чугун EN-GJL-250 |
| S | 70.SSM050... | Struttura sostegno Lifting system Système de soulèvement Hebevorrichtung Estructura de sostén Структура поддержки | Acciaio zincato - AISI304/316 Galvanized Steel - AISI304/316 Acier galvanisé - AISI304/316 Stahl verzinkt - AISI304/316 Acero galvanizado - AISI304/316 Оцинков. сталь AISI304/316 |

