




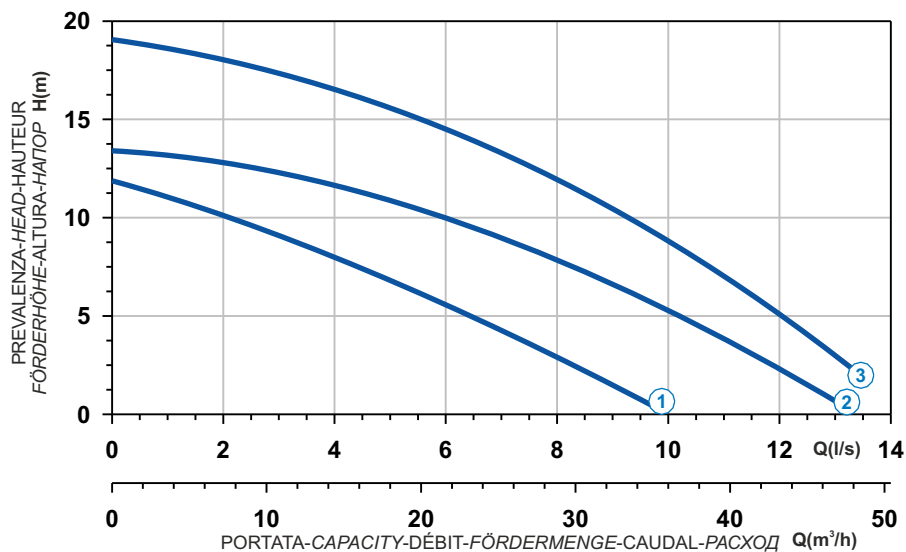
 Acciaio inox e ghisa  
 Acier inoxydable et fonte  
 Acero inox y hierro fundido

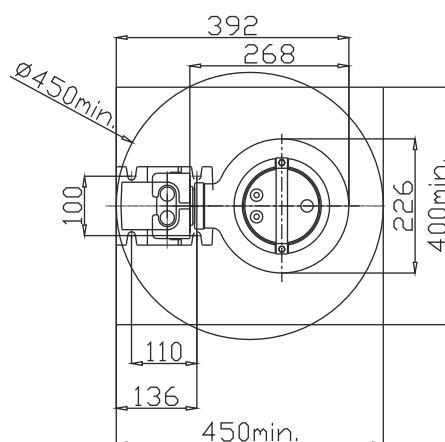
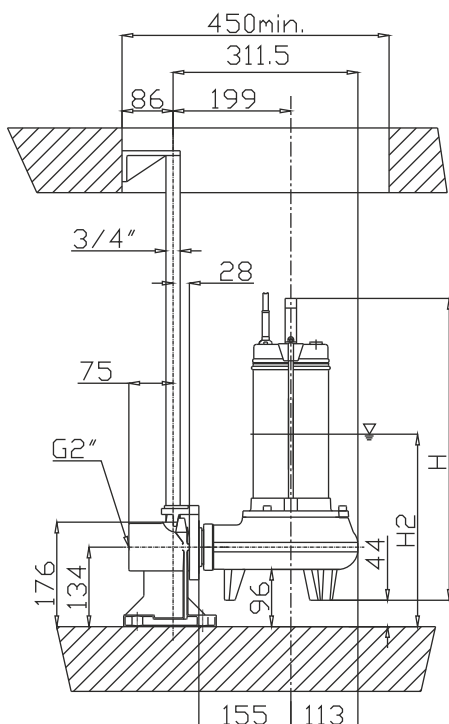
 Stainless steel and cast iron  
 Edelstahl und Grauguss  
 Нержавеющая сталь и чугун

**Curva caratteristica - Performance curve - Courbe caractéristique**  
**Kennlinie - Curva característica - Характеристическая кривая**

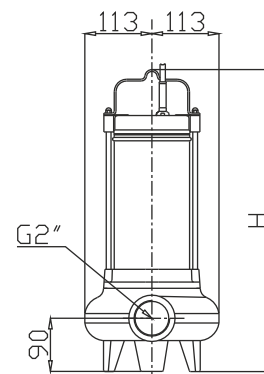


Curve N°	Code	Type	MOTOR				Free passage (mm)	Discharge	Weight (Kg)
			Power supply	R.P.M.	Rated power P2 (kW)	Rated current I (A)			
1	8001812	LVG-11T0-50	3ph 400V 50Hz	2850	1,1	3,2	50	2"	20
2	8004257	LVG-15T0-50	3ph 400V 50Hz	2850	1,5	3,4	50	2"	22
3	8002182	LVG-20T0-50	3ph 400V 50Hz	2850	2,2	5,6	45	2"	25

**Dimensioni - Dimensions - Dimensions - Abmessungen - Dimensiones - Габариты (mm)**



▽ LIVELLO MINIMO DI SOMMERGIBILITÀ  
 MINIMUM SUBMERSIBLE LEVEL  
 NIVEAU MINIMUM D'IMMERSION  
 MINDESTWASSERSTAND  
 NIVEL SUMERGIBLE MÍNIMO  
 МИНИМАЛЬНАЯ ГЛУБИНА ПОГРУЖЕНИЯ



Curve	Code	Type	H	H2
1	8001812	LVG-11T0-50	460	304
2	8004257	LVG-15T0-50	480	314
3	8002182	LVG-20T0-50	500	324