

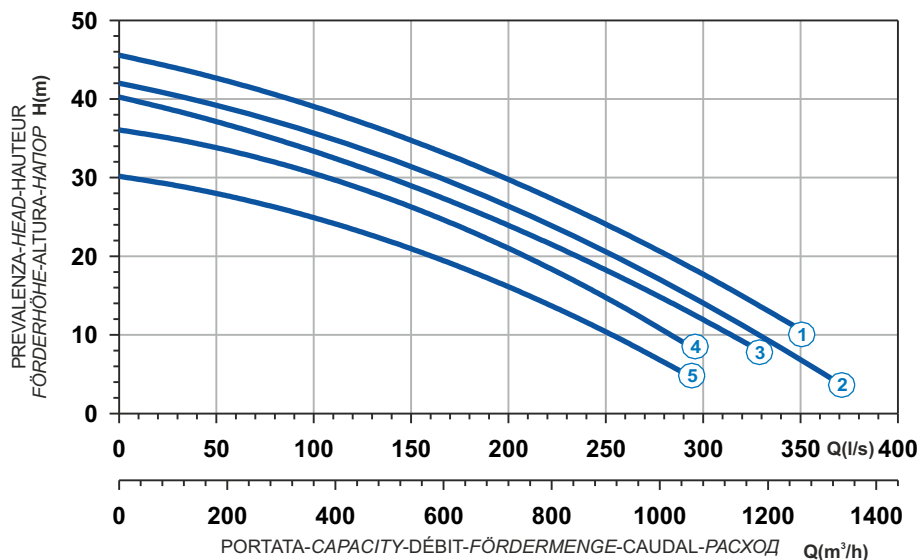

 Ghisa EN-GJL-250
 Fonte EN-GJL-250
 Hierro fundido EN-GJL-250

 Cast Iron EN-GJL-250
 Grauguss EN-GJL-250
 Чугун EN-GJL-250

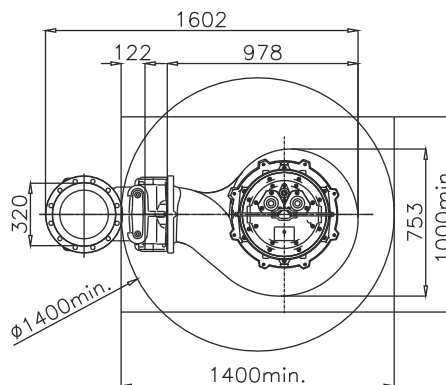
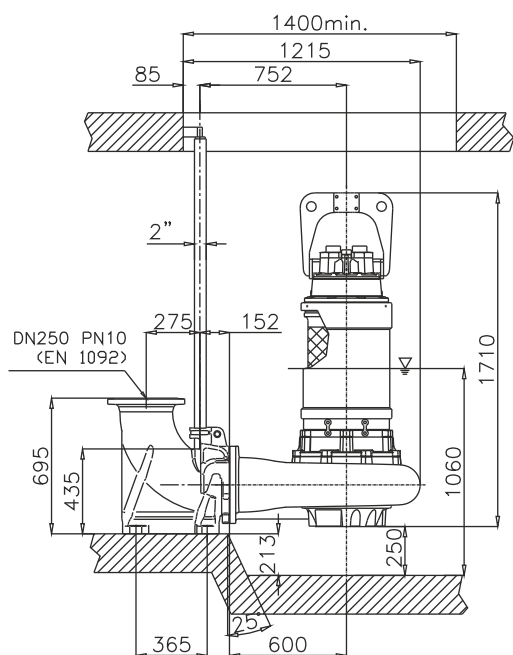
Curva caratteristica - Performance curve - Courbe caractéristique
Kennlinie - Curva característica - Характеристическая кривая



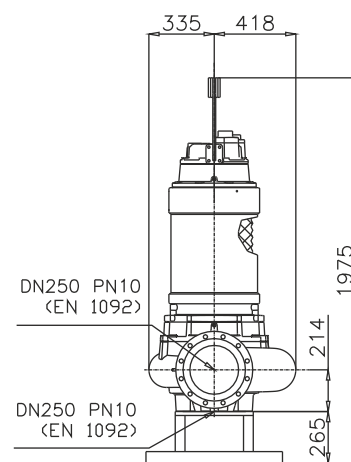
| Curve N° | Code | Type | MOTOR | | | ATEX code  |
|----------|---------|------------------|---------------------|---------------------|-------------------------|---|
| | | | Rated power P2 (kW) | Rated current I (A) | Starting current Is (A) | |
| 1 | 7000228 | G425R2C1-V105AA2 | 85 | 143 | 845 | - |
| 2 | 7000230 | G425R2C2-V105AA2 | 75 | 126 | 745 | - |
| 3 | 7000323 | G425R2C3-V105AA2 | 75 | 126 | 745 | - |
| 4 | 7000325 | G425R2C4-V105AA2 | 65 | 110 | 647 | - |
| 5 | 7009678 | G425R2C6-V105AA2 | 55,1 | 93 | 549 | - |

| | |
|-------------------|-------------------|
| Power supply | 3ph 400/690V 50Hz |
| R.P.M. | 1450 |
| Free passage (mm) | 105 |
| Discharge (mm) | DN 250 |
| Max Weight (Kg) | 980 |

Dimensioni - Dimensions - Dimensions - Abmessungen - Dimensiones - Габариты (mm)



▽ LIVELLO MINIMO DI SOMMERGIBILITÀ
 MINIMUM SUBMERSIBLE LEVEL
 NIVEAU MINIMUM D'IMMERSION
 MINDESTWASSERSTAND
 NIVEL SUMERGIBLE MÍNIMO
 МИНИМАЛЬНАЯ ГЛУБИНА ПОГРУЖЕНИИ



Versione disponibile con mantello di raffreddamento - Type available also with cooling jacket
 Version disponible avec chemise de refroidissement - Ausführung auch mit Kühlmantel lieferbar
 Disponible también con camisa de refrigeración - Вариант доступен с рубашкой охлаждения