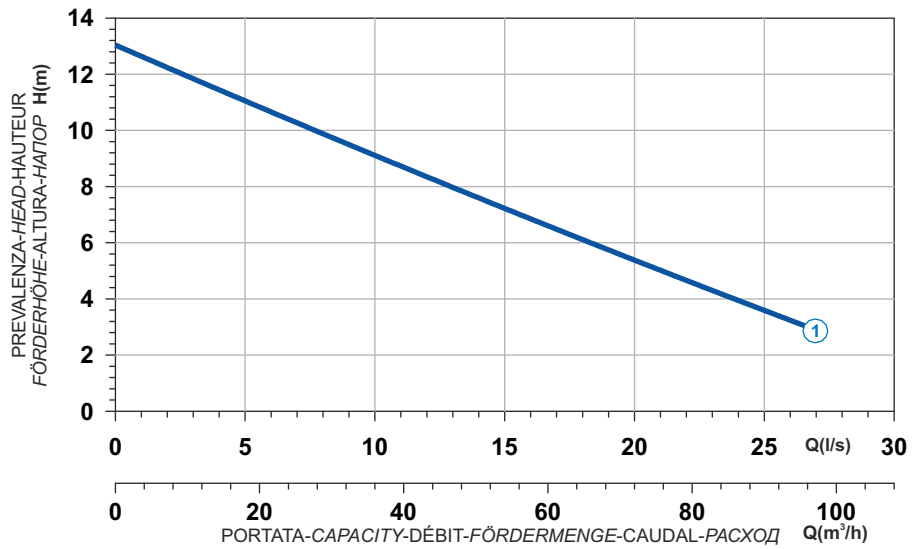




- Ghisa EN-GJL-250
- Cast Iron EN-GJL-250
- Fonte EN-GJL-250
- Grauguss EN-GJL-250
- Hierro fundido EN-GJL-250
- Чугун EN-GJL-250

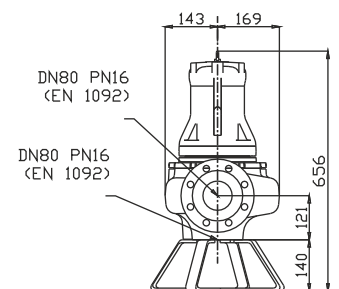
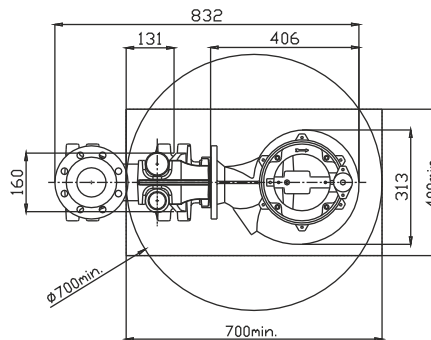
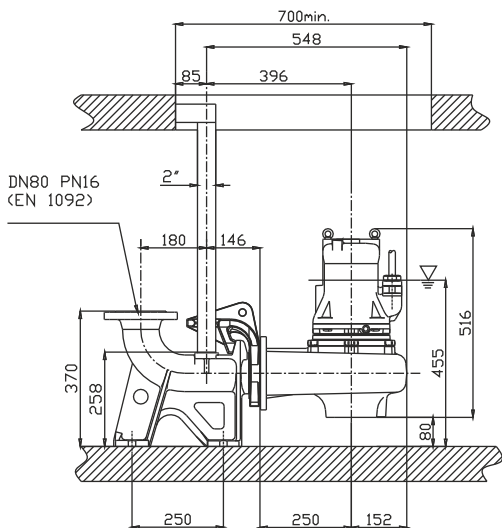
Curva caratteristica - Performance curve - Courbe caractéristique  
Kennlinie - Curva característica - Характеристическая кривая



Power supply	3ph 400V 50Hz
R.P.M.	1450
Free passage (mm)	76
Discharge (mm)	DN 80
Max Weight (Kg)	67

Curve N°	Code	Type	MOTOR			ATEX code
			Rated power P2 (kW)	Rated current I (A)	Starting current Is (A)	
1	7003521	G409T1M1-M76AA0	2,8	5,4	24,3	7008262

## Dimensioni - Dimensions - Dimensions - Abmessungen - Dimensiones - Габариты (mm)



▽ LIVELLO MINIMO DI SOMMERGIBILITÀ  
MINIMUM SUBMERSIBLE LEVEL  
NIVEAU MINIMUM D'IMMERSION  
MINDESTWASSERSTAND  
NIVEL SUMERGIBLE MÍNIMO  
МИНИМАЛЬНАЯ ГЛУБИНА ПОГРУЖЕНИЯ