

JET - EURO CON ACTIVE DRIVER

AUTOMATIC BOOSTER SYSTEM WITH INVERTER



DOMESTIC WATER SUPPLY

Automatic water lifting units, particularly suitable for domestic use, small installations for civil, agricultural, industrial use, washing and hobby applications.

The units are characterised by the use of JET, JETINOX, JETCOM and EUROINOX self-priming pumps **coupled directly to the device Active Driver.**

Active Driver is an innovative integrated variable speed control system capable of maintaining constant pressure in relation to flow rate variations. The operating pressure can be adjusted and the various settings and related error warnings can be viewed, thanks to a simple and immediate user interface.

Active Driver is made up of: an inverter, a pressure sensor and a flow sensor.

Liquid temperature range:

from 0°C to 35°C (for domestic use)
from 0°C to +40°C (for other uses)

Pumped liquid:

clean, free from solids or abrasive substances, not viscous, not aggressive, not crystallised and chemically neutral and close to the characteristics of water.

Supplied as standard with 2L expansion vessel plus coupling.

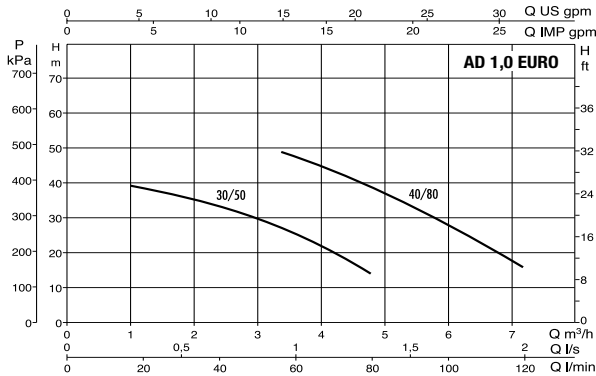
TECHNICAL DATA

MODEL	CODE	ELECTRICAL DATA						
		VOLTAGE 50 Hz	P1 MAX kW	P2 NOMINAL		In A	CAPACITOR	
				kW	HP		µF	Vc
AD M/M JET 82 M	60122712	1x220-240 V ~	0,850	0,6	0,8	3,8	12,5	450
AD M/M JET 132 M	60116735	1x220-240 V ~	1,490	1,0	1,36	6,6	25	450
AD M/M JETINOX 82 M	60122713	1x220-240 V ~	0,850	0,6	0,8	3,8	12,5	450
AD M/M JETINOX 132 M	60122714	1x220-240 V ~	1,490	1,0	1,36	6,6	25	450
AD M/M JETCOM 82 M	60122715	1x220-240 V ~	0,850	0,6	0,8	3,8	12,5	450
AD M/M JETCOM 132 M	60118199	1x220-240 V ~	1,490	1,0	1,36	6,6	25	450
AD M/M EURO 30/50 M	60122716	1x220-240 V ~	0,880	0,55	0,75	3,9	12,5	450
AD M/M EURO 40/80 M	60122717	1x220-240 V ~	1,480	1,0	1,36	6,3	25	450
AD M/M EUROINOX 30/50 M	60122718	1x220-240 V ~	0,880	0,55	0,75	3,9	12,5	450
AD M/M EUROINOX 40/80 M	60116734	1x220-240 V ~	1,480	1,0	1,36	6,3	25	450
AD M/M EUROCOM 30/50 M	60122719	1x220-240 V ~	0,880	0,55	0,75	3,9	12,5	450
AD M/T EURO 30/50 M	502971030	1x220-240 V ~	0,880	0,55	0,75	3,9	-	-
AD M/T EURO 40/80 M	502971080	1x220-240 V ~	1,480	1,0	1,36	6,3	-	-
AD M/T EUROINOX 30/50 M	502971230	1x220-240 V ~	0,880	0,55	0,75	3,9	-	-
AD M/T EUROINOX 40/80 M	502971280	1x220-240 V ~	1,480	1,0	1,36	6,3	-	-

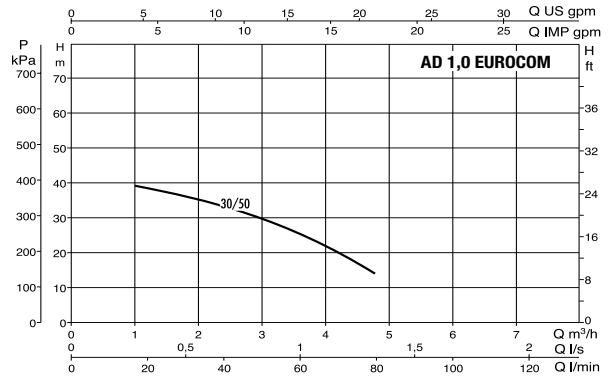
JET - EURO CON ACTIVE DRIVER

AUTOMATIC BOOSTER SYSTEM WITH INVERTER

AD 1.0 EURO - AD 1.0 EUROINOX

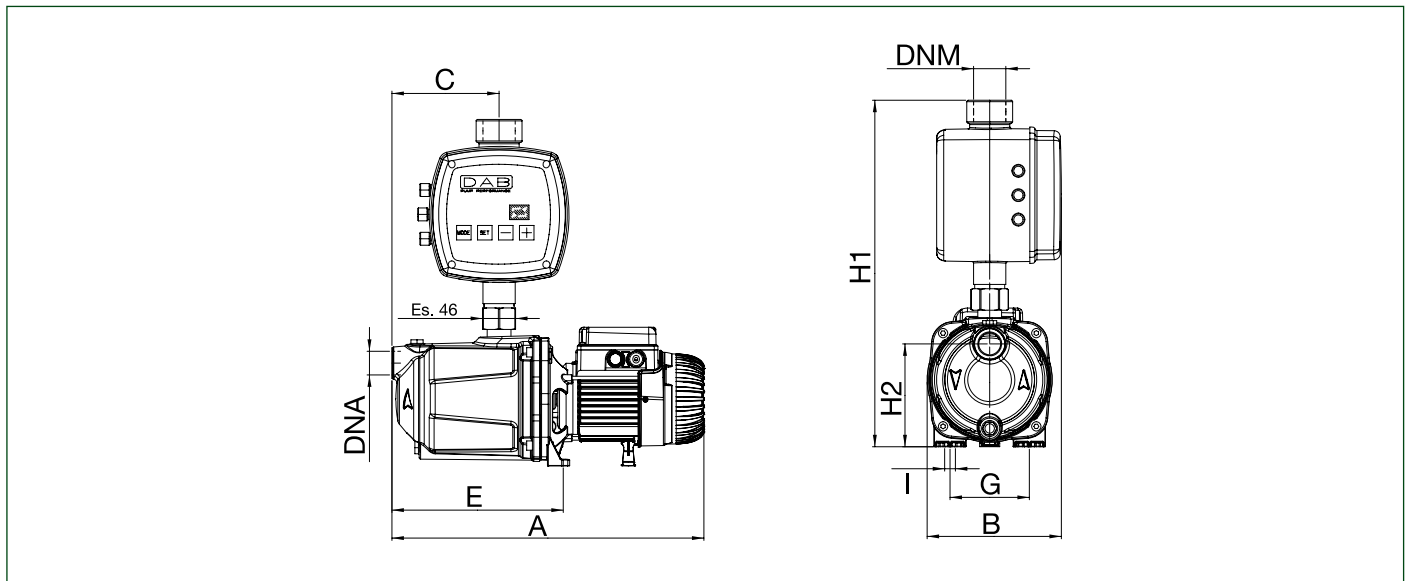


AD 1.0 EUROCOM



DIMENSIONS AND WEIGHTS

AD 1.0 JET - AD 1.0 EURO



MODEL	A	B	C	E	G	I	H1	H2	DNA	DNM	WEIGHT Kg	Q.TY x PALLET
AD1.0 M/M JET 82M	395	185	108	192	111	9	485	144	1" G	1"1/2 G	15,9	12
AD1.0 M/M JET 132M	414	185	108	192	111	9	485	144	1" G	1"1/2 G	18,8	12
AD1.0 M/M JETINOX 82M	406	187	122	207	111	9	502	144	1" G	1"1/2 G	13,2	12
AD1.0 M/M JETINOX 132M	424	187	122	207	111	9	502	144	1" G	1"1/2 G	16,2	12
AD1.0 M/M JETCOM 82M	406	185	122	208	111	9	503	144	1" G	1"1/2 G	10,7	12
AD1.0 M/M JECOM 132M	425	185	122	208	111	9	503	144	1" G	1"1/2 G	16,1	12
AD1.0 M/M EURO 30/50M	378	187	95	235	111	9	485	144	1" G	1"1/2 G	16,8	12
AD1.0 M/M EURO 40/80M	452	187	150	235	111	9	485	144	1" G	1"1/2 G	21,6	12
AD1.0 M/M EUROINOX 30/50M	384	187	108	186	111	9	503	144	1" G	1"1/2 G	14,4	12
AD1.0 M/M EUROINOX 40/80M	458	187	166	241	111	9	503	144	1" G	1"1/2 G	17,4	12
AD1.0 M/M EUROCOM 30/50M	406	185	122	208	111	9	503	144	1" G	1"1/2 G	9,3	12