

Mini Duct

Models (With drain pump)

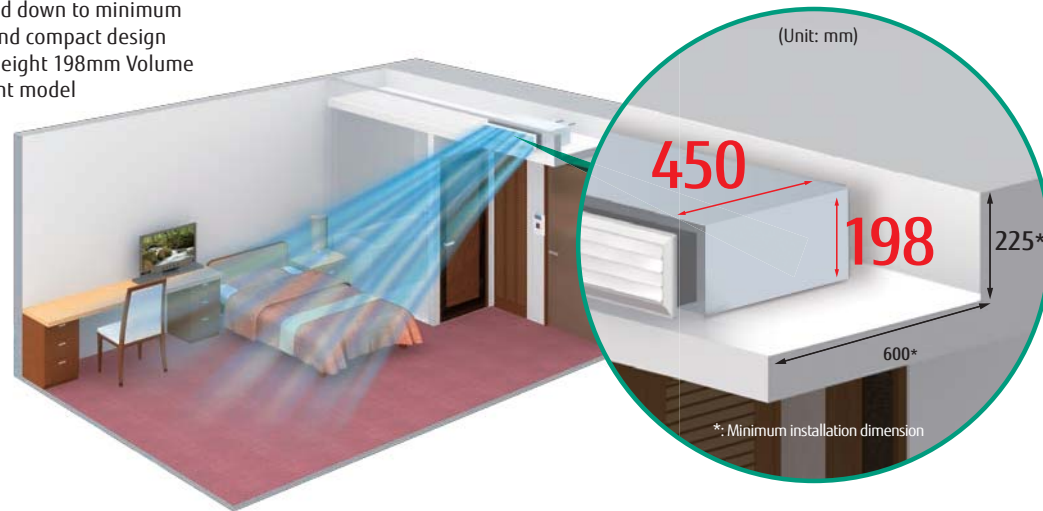
- ARXK004GLEH
- ARXK007GLEH
- ARXK009GLEH
- ARXK012GLEH
- ARXK014GLEH
- ARXK018GLEH
- ARXK024GLEH



Feature

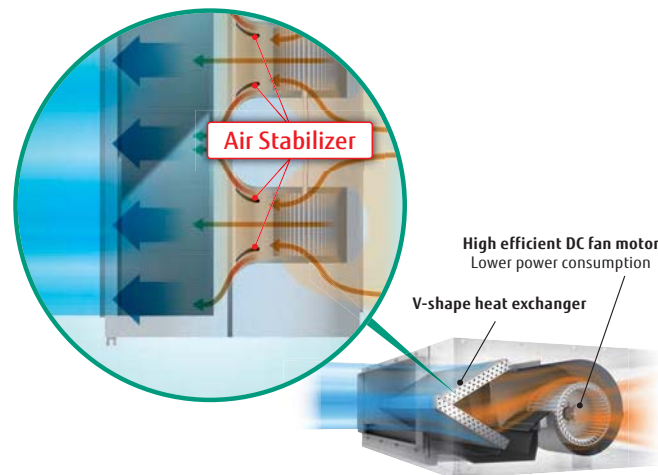
Large living space available

- Installation space can be reduced down to minimum depth 450mm height 198 mm and compact design
- Minimum size: Depth 450mm, Height 198mm Volume 30% down compared with current model
- Lightweight: 16kg 10%down



Optimum airflow path and low noise operation

Low noise is realized drastically by stabilized airflow design



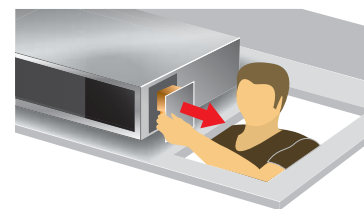
Easy design and maintenance for drain

By using the DC fan motor, it is possible to change the static pressure range from 0 to 50 Pa*.

The change of static pressure range is possible by remote controller.

*: 0 to 30 Pa. (004-012 models)

Built-in drain pump as standard :
Maintenance is easy



Parts can be replaced from the side of the body where maintenance is easier

6-speed control*

Multistep airflow speed control allows this model to install in a quiet location.

Low noise
20 dB(A)
at 04 model

6-Step Speed

- High
- Med-H
- Med
- Med-L
- Low
- Quiet



* Compatible Remote Controller is as follows:
UTY-RNRGZ3 / UTY-RLRG / UTY-PSRG / UTY-RHRG / UTY-DCGGZ1 / UTY-DTGGZ1 / UTY-ALGXZ1 / UTY-APGXZ1

Auto Louver Grille Kit (Option)

- Thin design provides a comfortable living environment over a wide area.
- Automatic louver grille provides comfortable air conditioning all the way down to the floor and matches the interior design well. (Optional)



Optional parts

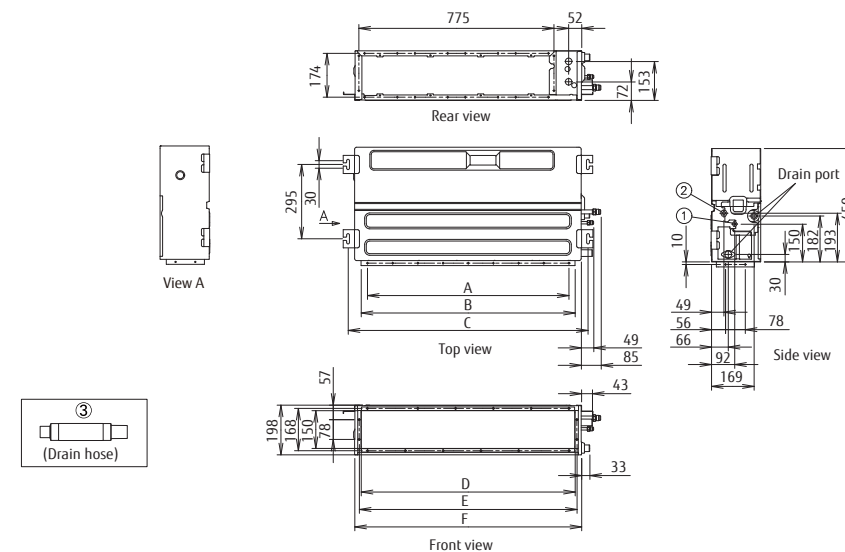
- Remote Sensor Unit : UTY-XSZX
- IR Receiver Unit : UTB-YWC
- Auto Louver Grille Kit : UTD-GXTA-W (for ARXK004/007/009/012/014)
UTD-GXTB-W (for ARXK018)
UTD-GXTC-W (for ARXK024)
- External Power Supply Unit : UTZ-GXXA

Specifications

Model name	ARXK004GLEH	ARXK007GLEH	ARXK009GLEH	ARXK012GLEH	ARXK014GLEH	ARXK018GLEH	ARXK024GLEH
Power source	Single - phase, ~230V, 50Hz						
Capacity	Cooling	1.1	2.2	2.8	3.6	4.5	5.6
	Heating	1.3	2.8	3.2	4.0	5.0	6.3
Input power	kW						
Airflow rate	High	26	28	28	35	66	73
	Med-H	460	460	460	550	760	930
	Med	440	-	-	-	-	-
	Med-L	420	420	420	480	560	740
	Low	400	-	-	-	-	-
	Quiet	370	370	370	410	410	540
Static pressure range	Pa						
Standard static pressure	0 to 30	0 to 30	0 to 30	0 to 30	0 to 50	0 to 50	0 to 50
Sound pressure level	High	10	10	10	10	15	15
	Med-H	25	26	26	29	34	33
	Med	24	25	25	27	31	30
	Med-L	23	24	24	26	28	28
	Low	22	23	23	25	26	26
Quiet	21	22	22	24	24	24	
Dimensions (H x W x D)	mm						
Weight	198 x 700 x 450	198 x 700 x 450	198 x 700 x 450	198 x 700 x 450	198 x 700 x 450	198 x 900 x 450	198 x 1,100 x 450
Connection pipe diameter	Liquid (Flare)	6.35	6.35	6.35	6.35	6.35	6.35
	Gas (Flare)	9.52	9.52	9.52	12.70	12.70	12.70
Drain hose diameter (I.D./O.D.)	25 / 32						

Note : Specifications are based on the following conditions.
Cooling : Indoor temperature of 27°CDB / 19°CWB, and outdoor temperature of 35°CDB / 24°CWB.
Heating : Indoor temperature of 20°CDB / (15°CWB), and outdoor temperature of 7°CDB / 6°CWB.
Pipe length : 7.5 m; Height difference between outdoor unit and indoor unit : 0 m. Voltage : 230 [V].

Dimensions (Unit: mm)



- ① Refrigerant pipe flare connection (Liquid)
- ② Refrigerant pipe flare connection (Gas)
- ③ Drain hose connection

	ARXK004-014	ARXK018	ARXK024
A	P100×6=600	P100×8=800	P100×10=1000
B	650	850	1050
C	752	952	1152
D	650	850	1050
E	665	864	1064
F	700	900	1100