

## GENERAL CHARACTERISTICS

### 2-POLE SVI

	2E	4E	2S	4S	8S	16S	33S	46S	66S	92S
Max efficiency flow (m <sup>3</sup> /h)	3	5,5	3	5,5	10,5	16	33	42	74	92
Flow range (m <sup>3</sup> /h)	1,2÷4,2	2,4÷7,2	1,2÷4,2	2,4÷7,2	6÷14	9÷24	15÷40	22÷60	30÷85	45÷120
Maximum pressure ( bar )	8	6	26	23	22	25	24	22	15	13
Motor power ( kW )	0,37÷0,9	0,37÷0,9	0,37÷3	0,37÷4	0,75÷7,5	1,1÷15	2,2÷30	3÷30	4÷30	5,5÷30
Max $\eta$ ( % ) of pump	42	57	42	59,5	61,5	64,5	76,5	79	78	79,5
Standard temperature ( °C )	-10 +60		-10 +90							

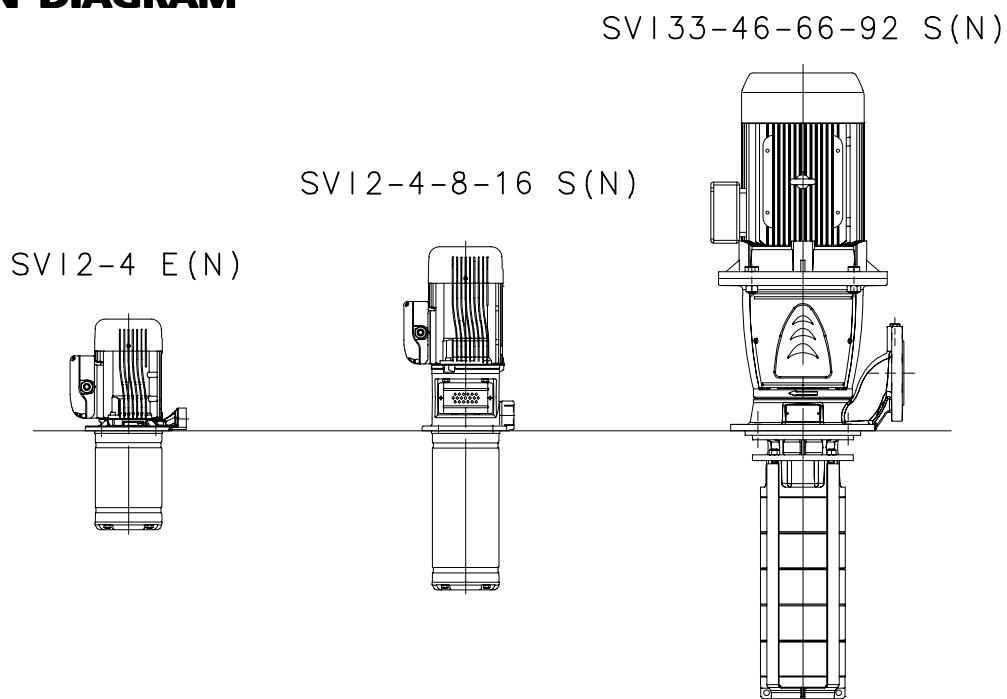
svi-2p50-en\_a\_tg

## SVI VERSIONS

	VERSION	HYDRAULIC	UPPER HEAD	DELIVERY PORT
<b>SVI2-4E</b>	CLOSE-COUPLED	AISI 304	CAST IRON	Threaded Rp 3/4
<b>SVI2-4EN</b>	CLOSE-COUPLED	AISI 316	AISI 316	Threaded Rp 3/4
<b>SVI2-4S</b>	WITH COUPLING	AISI 304	CAST IRON	Threaded Rp 1 1/4
<b>SVI2-4N</b>	WITH COUPLING	AISI 316	AISI 316	Threaded Rp 1 1/4
<b>SVI8-16S</b>	WITH COUPLING	AISI 304	CAST IRON	Threaded Rp 2
<b>SVI8-16N</b>	WITH COUPLING	AISI 316	AISI 316	Threaded Rp 2
<b>SVI33-46-66-92S</b>	WITH COUPLING	AISI 304	CAST IRON	Flanged DN 80
<b>SVI33-46-66-92N</b>	WITH COUPLING	AISI 316	AISI 316	Flanged DN 80

svi-vers-2p50-en\_a\_tc

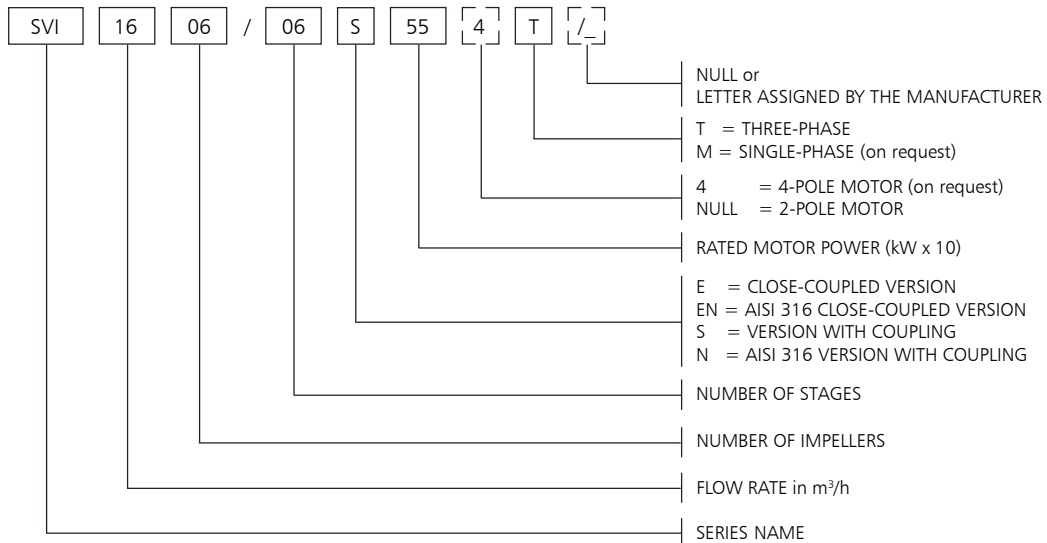
## VERSION DIAGRAM



05003\_A\_SC

## IDENTIFICATION CODE

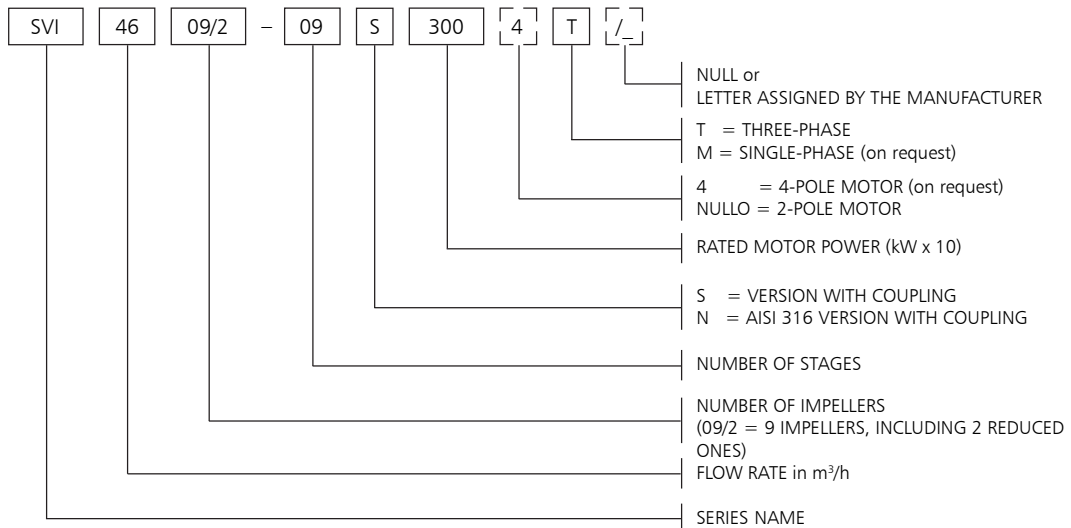
### SVI 2, 4, 8, 16



EXAMPLE : SVI1606/06S55T

SVI Series Electric pump, flow rate 16 m<sup>3</sup>/h, number of impellers 6, number of stages 6, S version with coupling, rated motor power 5,5 kW, 50 Hz version, three-phase.

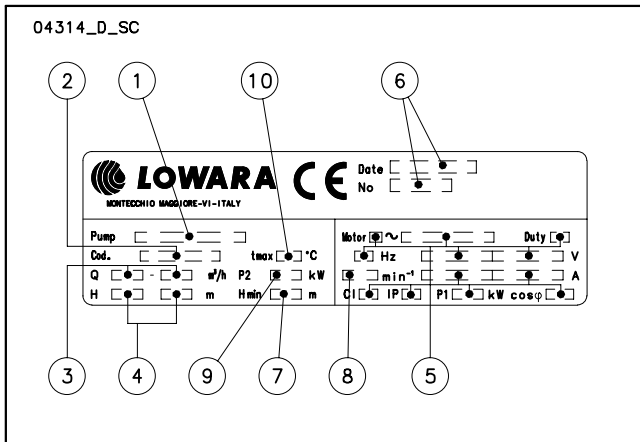
### SVI 33, 46, 66, 92



EXAMPLE : SVI4609/2-09S300T

SVI Series Electric pump, flow rate 46 m<sup>3</sup>/h, number of impellers 9 including 2 reduced ones, number of stages 9, S version with coupling, rated motor power 30 kW, 50 Hz version, three-phase.

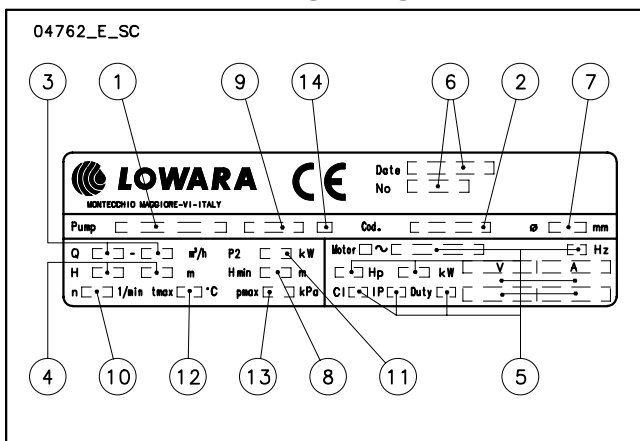
**RATING PLATE  
SVI 2, 4 (E, EN)**



**LEGEND**

- 1 - Electric pump type
- 2 - Code
- 3 - Delivery range
- 4 - Head range
- 5 - Motor type
- 6 - Date of manufacturing and serial number
- 7 - Minimum head
- 8 - Speed
- 9 - Rated power
- 10 - Maximum operating temperature

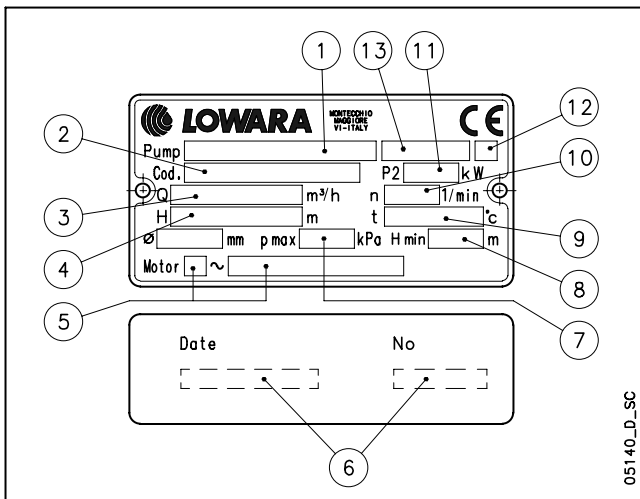
**SVI 2, 4, 8, 16 (S, N)**



**LEGEND**

- 1 - Electric pump type
- 2 - Code
- 3 - Delivery range
- 4 - Head range
- 5 - Motor type
- 6 - Date of manufacturing and serial number
- 7 - Impeller diameter
- 8 - Minimum head
- 9 - Mechanical seal material identification code
- 10 - Speed
- 11 - Rated power
- 12 - Maximum operating temperature
- 13 - Maximum operating pressure
- 14 - O-ring material identification code

**SVI 33, 46, 66, 92 (S, N)**

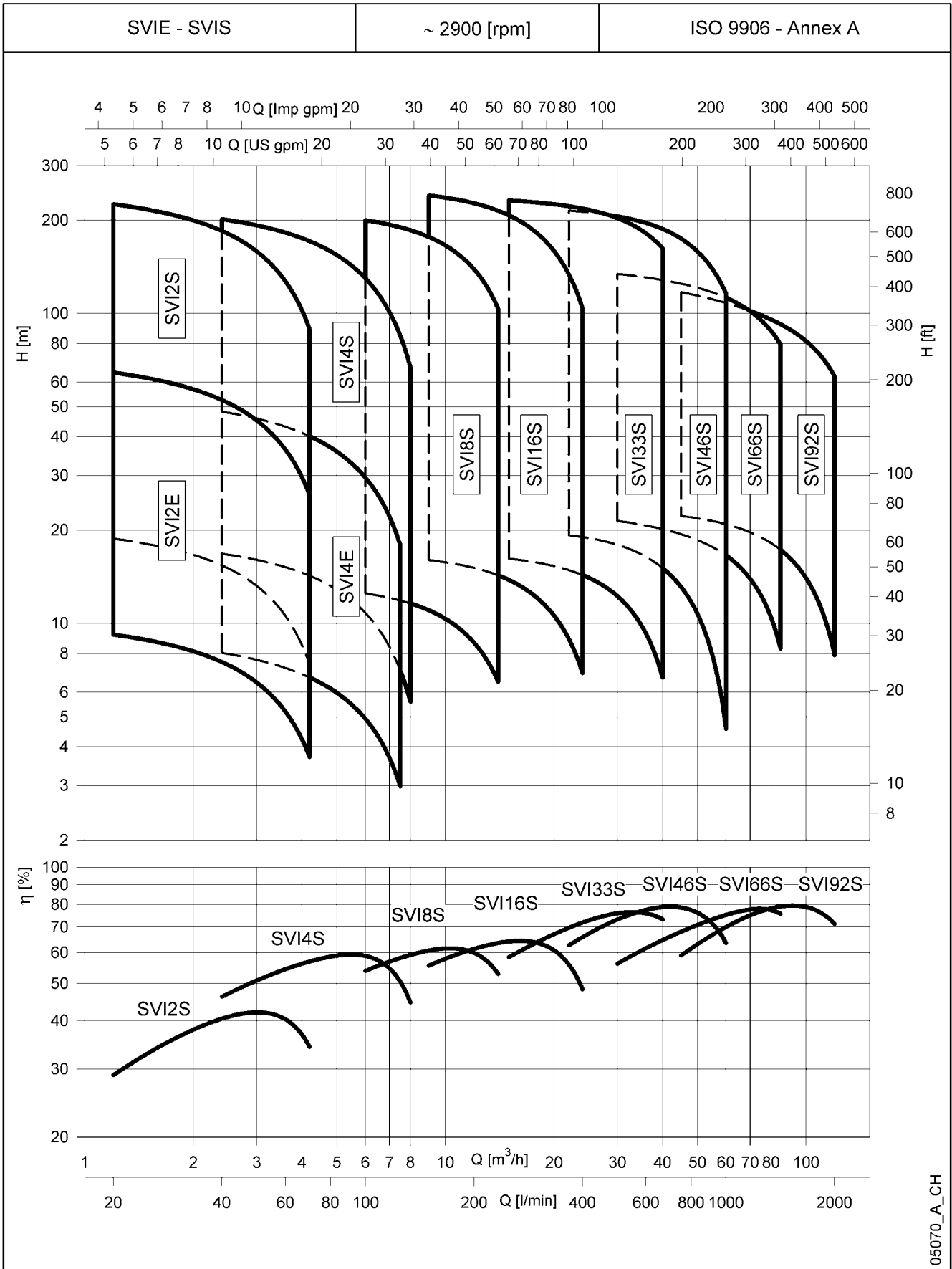


**LEGEND**

- 1 - Electric pump type
- 2 - Code
- 3 - Delivery range
- 4 - Head range
- 5 - Motor type
- 6 - Date of manufacturing and serial number
- 7 - Maximum operating pressure \*
- 8 - Minimum head
- 9 - Maximum operating temperature \*
- 10 - Speed
- 11 - Rated power
- 12 - O-ring material identification code
- 13 - Mechanical seal material identification code

\* To be verified on pressure/temperature limit diagrams (pag. 14)

**SVI SERIES  
HYDRAULIC PERFORMANCE RANGE AT 50 Hz**



05070\_A\_CH

## SVI 66, 92 SERIES

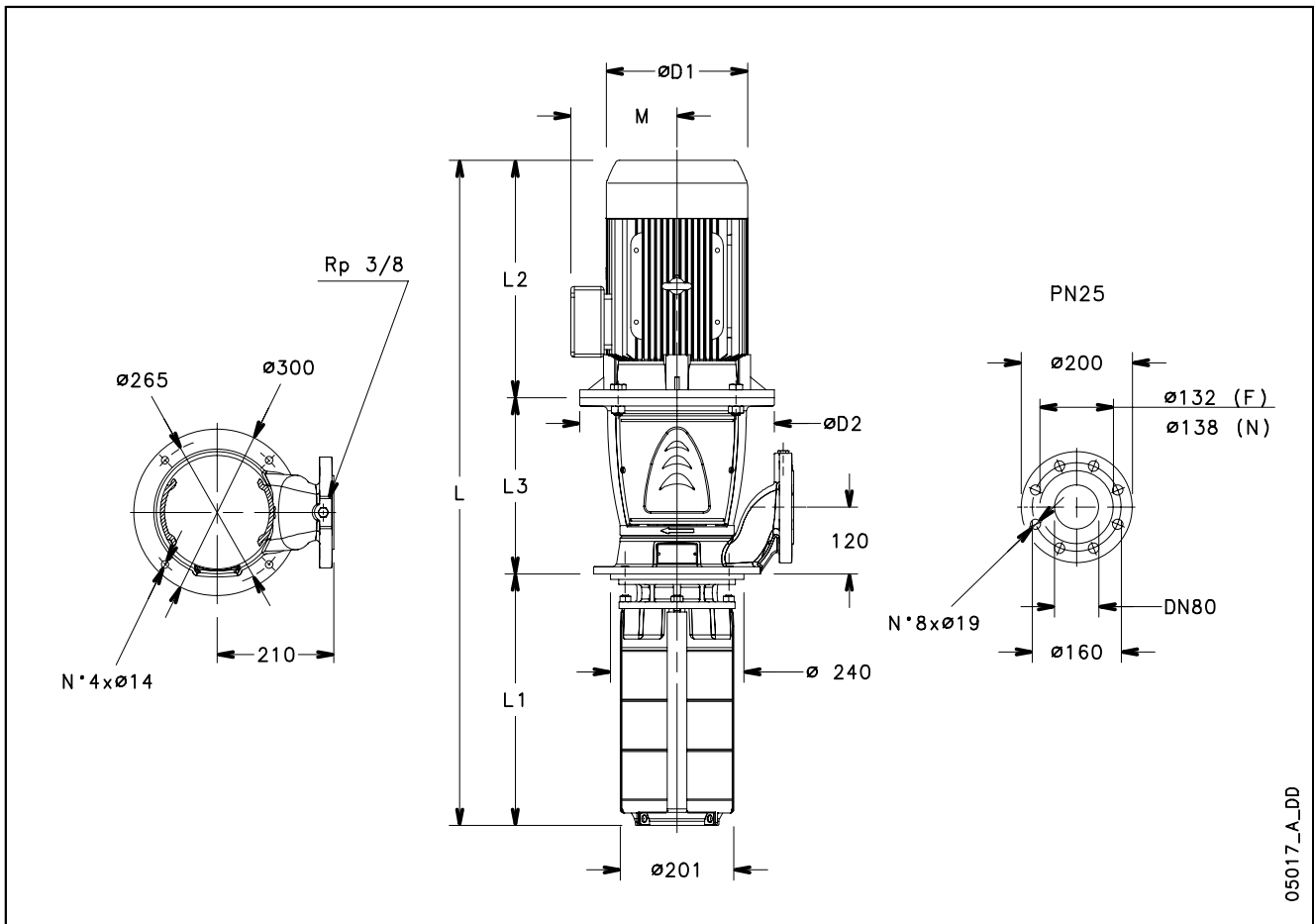
### TABLE OF HYDRAULIC PERFORMANCES AT 50 Hz, 2 POLES

PUMP TYPE	RATED POWER		Q = DELIVERY											
			l/min 0	500	600	750	900	1000	1100	1200	1416,7	1600	1800	2000
	kW	HP	m <sup>3</sup> /h 0	30	36	45	54	60	66	72	85	96	108	120
H = TOTAL HEAD METRES COLUMN OF WATER														
SVI 6601/1S	4	5,5	23,8	21,4	20,7	19,4	17,8	16,6	15,1	13,3	8,3			
SVI 6601S	5,5	7,5	29,2	25,8	24,8	23,3	21,8	20,7	19,4	17,9	13,4			
SVI 6602/2S	7,5	10	47,5	42,6	41,2	38,6	35,5	32,9	30,0	26,4	16,4			
SVI 6602S	11	15	60,4	55,7	54,4	52,0	49,3	47,1	44,7	42,0	34,6			
SVI 6603/2S	15	20	78,4	71,6	69,6	65,9	61,5	57,9	53,8	49,0	35,3			
SVI 6603S	18,5	25	91,4	84,7	82,7	79,3	75,2	72,0	68,5	64,4	53,5			
SVI 6604/1S	22	30	115,2	105,9	103,1	98,5	92,9	88,6	83,6	77,8	61,7			
SVI 6605/1S	30	40	145,6	134,0	130,5	124,7	117,8	112,4	106,3	99,2	79,4			
SVI 9201/1S	5,5	7,5	24,5			22,2	21,5	20,9	20,2	19,4	17,3	15,0	11,8	7,9
SVI 9201S	7,5	10	33,5			28,7	27,2	26,2	25,3	24,3	22,2	20,2	17,6	14,3
SVI 9202/2S	11	15	49,4			45,1	43,7	42,5	41,2	39,6	35,5	30,9	24,6	16,8
SVI 9202S	15	20	67,8			58,2	55,3	53,4	51,4	49,5	45,3	41,4	36,3	29,6
SVI 9203/2S	18,5	25	82,4			74,4	71,6	69,6	67,3	64,8	58,6	52,2	43,6	32,9
SVI 9203S	22	30	102,2			88,2	84,0	81,2	78,4	75,5	69,2	63,4	55,9	46,3
SVI 9204/2S	30	40	115,7			104,0	99,9	97,0	93,8	90,4	82,2	73,8	62,8	49,0
SVI 9204S	30	40	133,1			117,0	111,7	108,0	104,4	100,6	92,3	84,6	74,8	62,5

Performances in compliance with ISO 9906 - Annex A.

svi66-92-2p50-en\_a\_th

## SVI 92 (S, N) SERIES DIMENSIONS AND WEIGHTS AT 50 Hz, 2 POLES



05017\_A\_DD

PUMP TYPE	MOTOR		DIMENSIONS (mm)							ELECTRIC PUMP WEIGHT
	kW	SIZE	L	L1	L2	L3	M	D1	D2	kg
SVI9201/1-01S55T/P	5,5	132	929	272	375	282	168	214	300	83
SVI9201-01S75T/P	7,5	132	921	272	367	282	191	256	300	101
SVI9202/2-02S110T/P	11	160	1107	362	428	317	191	256	350	123
SVI9202-02S150T/P	15	160	1173	362	494	317	240	313	350	155
SVI9203/2-03S185T/P	18,5	160	1263	452	494	317	240	313	350	167
SVI9203-03S220T/P	22	180	1263	452	494	317	240	313	350	179
SVI9204/2-04S300T/C	30	200	1516	542	657	317	317	402	400	296
SVI9204-04S300T/C	30	200	1516	542	657	317	317	402	400	296

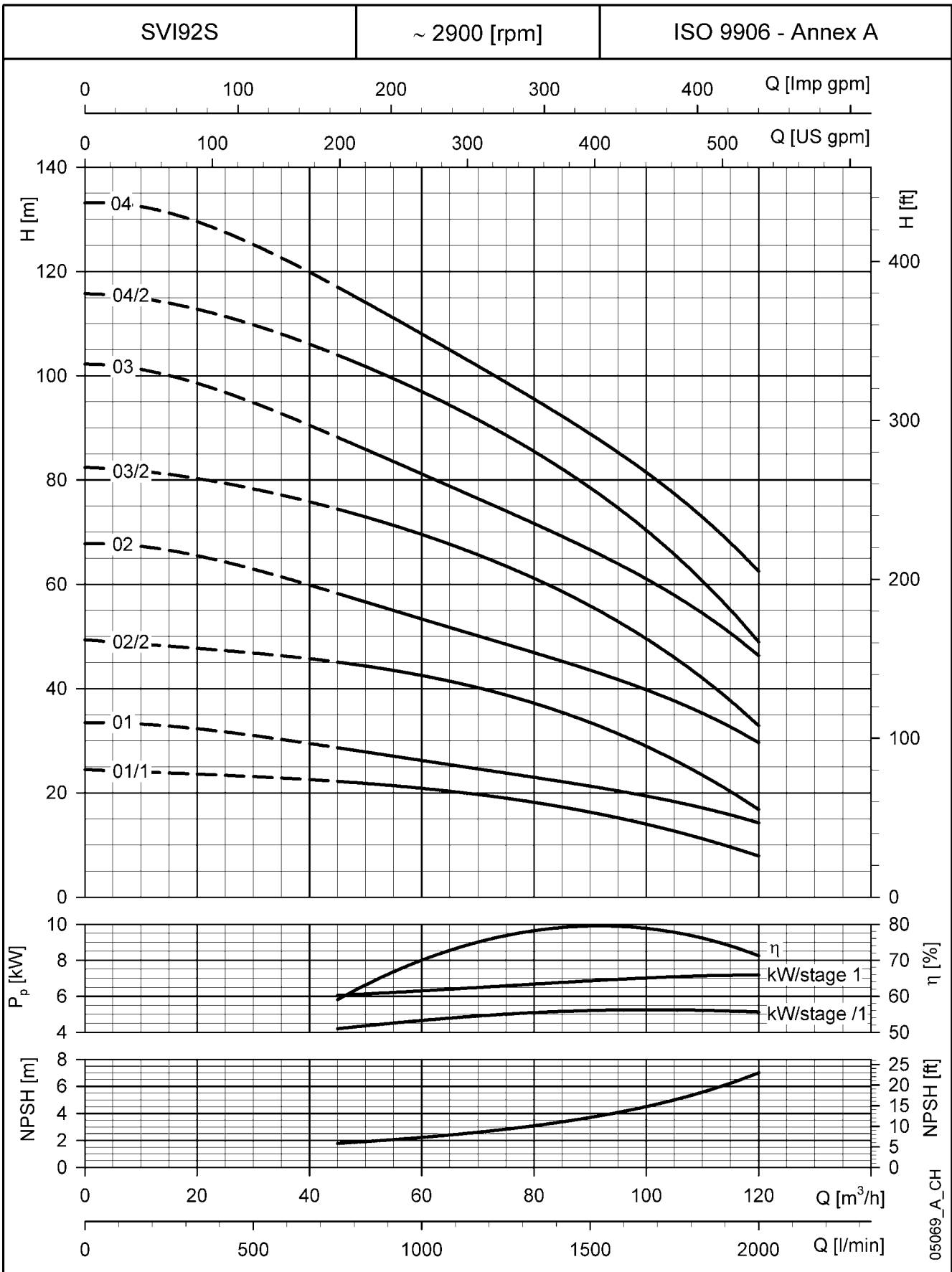
svi92s-2p50-en\_c\_td

	PUMP TYPE	MOTOR		DIMENS. L2+L3 mm	NUMBER OF STAGES									
		kW	SIZE		1	2	3	4	5	6	7	8	9	10
NUMBER OF IMPELLERS	SVI9201/1-...	5,5	132	657	272	362	452	542	632	722	812	902	992	1082
	SVI9201-...	7,5	132	649	272	362	452	542	632	722	812	902	992	1082
	SVI9202/2-...	11	160	745		362	452	542	632	722	812	902	992	1082
	SVI9202-...	15	160	811		362	452	542	632	722	812	902	992	1082
	SVI9203/2-...	18,5	160	811		L1 Standard	452	542	632	722	812	902	992	1082
	SVI9203-...	22	180	811			452	542	632	722	812	902	992	1082
	SVI9204/2-...	30	200	974				542	632	722	812	902	992	1082
	SVI9204-...	30	200	974				542	632	722	812	902	992	1082

\* The hydraulic performances of the electric pumps with shank increased lengths can be lower than standard version.

svi92s-en\_c\_tcm

**SVI 92 (S, N) SERIES  
OPERATING CHARACTERISTICS AT 50 Hz, 2 POLES**



These performances are valid for liquids with density  $\rho = 1.0 \text{ Kg/dm}^3$  and kinematic viscosity  $\nu = 1 \text{ mm}^2/\text{sec}$ .