

GENERAL CHARACTERISTICS

2-POLE SVI

	2E	4E	2S	4S	8S	16S	33S	46S	66S	92S
Max efficiency flow (m ³ /h)	3	5,5	3	5,5	10,5	16	33	42	74	92
Flow range (m ³ /h)	1,2÷4,2	2,4÷7,2	1,2÷4,2	2,4÷7,2	6÷14	9÷24	15÷40	22÷60	30÷85	45÷120
Maximum pressure (bar)	8	6	26	23	22	25	24	22	15	13
Motor power (kW)	0,37÷0,9	0,37÷0,9	0,37÷3	0,37÷4	0,75÷7,5	1,1÷15	2,2÷30	3÷30	4÷30	5,5÷30
Max η (%) of pump	42	57	42	59,5	61,5	64,5	76,5	79	78	79,5
Standard temperature (°C)	-10 +60		-10 +90							

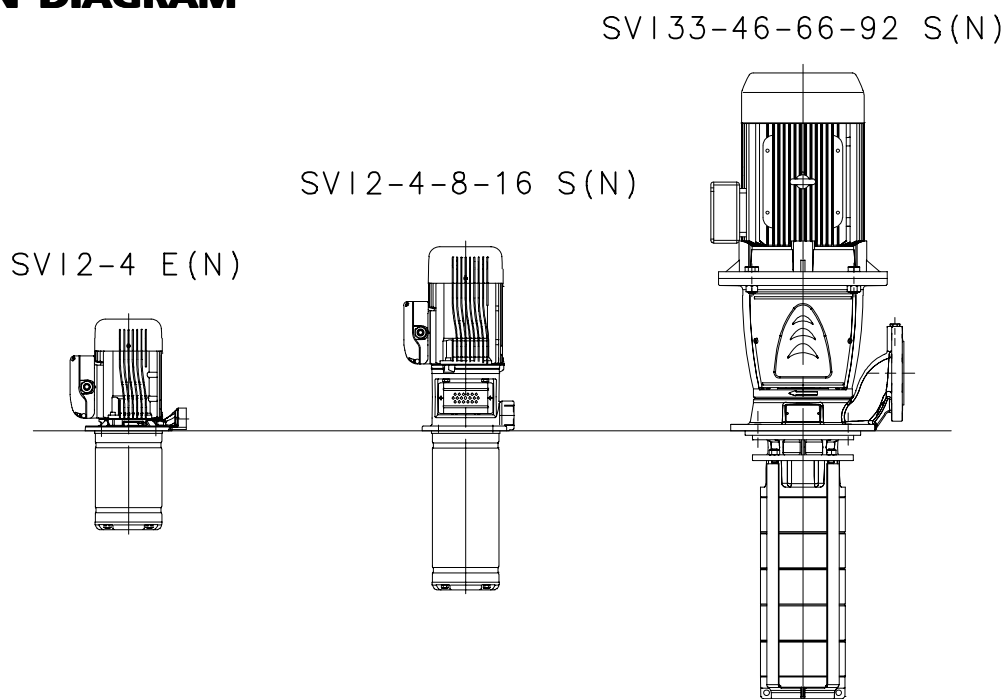
svi-2p50-en_a_tg

SVI VERSIONS

	VERSION	HYDRAULIC	UPPER HEAD	DELIVERY PORT
SVI2-4E	CLOSE-COUPLED	AISI 304	CAST IRON	Threaded Rp 3/4
SVI2-4EN	CLOSE-COUPLED	AISI 316	AISI 316	Threaded Rp 3/4
SVI2-4S	WITH COUPLING	AISI 304	CAST IRON	Threaded Rp 1 1/4
SVI2-4N	WITH COUPLING	AISI 316	AISI 316	Threaded Rp 1 1/4
SVI8-16S	WITH COUPLING	AISI 304	CAST IRON	Threaded Rp 2
SVI8-16N	WITH COUPLING	AISI 316	AISI 316	Threaded Rp 2
SVI33-46-66-92S	WITH COUPLING	AISI 304	CAST IRON	Flanged DN 80
SVI33-46-66-92N	WITH COUPLING	AISI 316	AISI 316	Flanged DN 80

svi-vers-2p50-en_a_tc

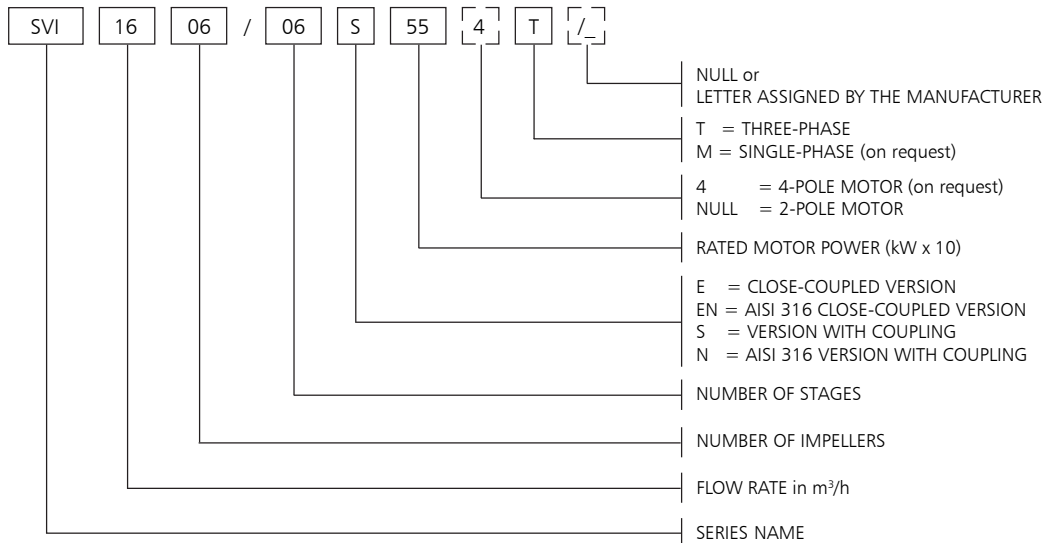
VERSION DIAGRAM



05003_A_SC

IDENTIFICATION CODE

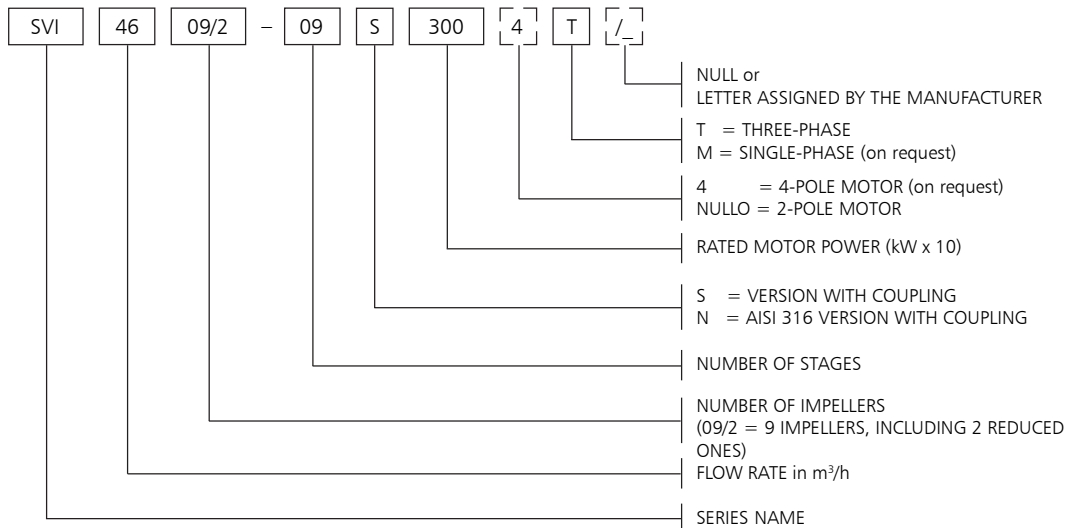
SVI 2, 4, 8, 16



EXAMPLE : SVI1606/06S55T

SVI Series Electric pump, flow rate 16 m³/h, number of impellers 6, number of stages 6, S version with coupling, rated motor power 5,5 kW, 50 Hz version, three-phase.

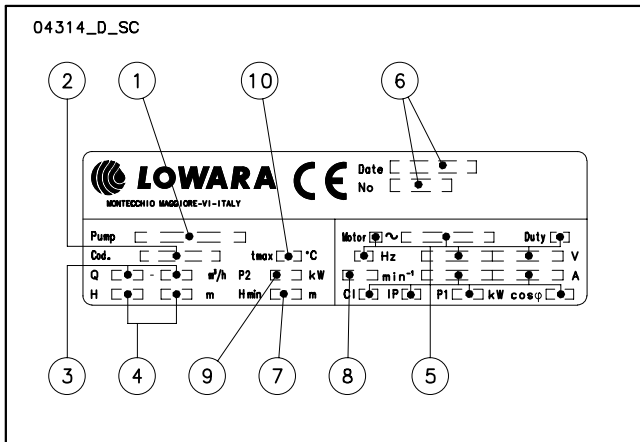
SVI 33, 46, 66, 92



EXAMPLE : SVI4609/2-09S300T

SVI Series Electric pump, flow rate 46 m³/h, number of impellers 9 including 2 reduced ones, number of stages 9, S version with coupling, rated motor power 30 kW, 50 Hz version, three-phase.

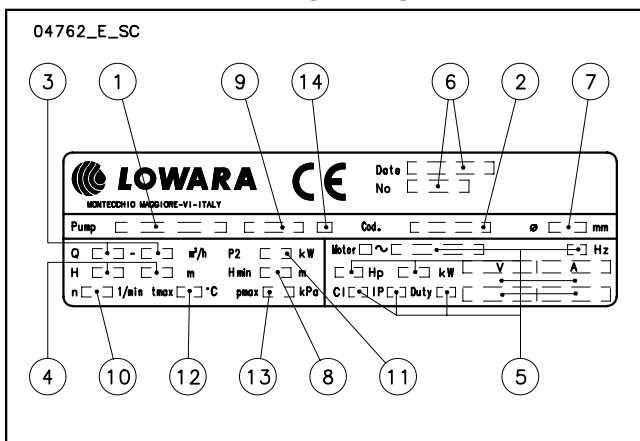
RATING PLATE SVI 2, 4 (E, EN)



LEGEND

- 1 - Electric pump type
- 2 - Code
- 3 - Delivery range
- 4 - Head range
- 5 - Motor type
- 6 - Date of manufacturing and serial number
- 7 - Minimum head
- 8 - Speed
- 9 - Rated power
- 10 - Maximum operating temperature

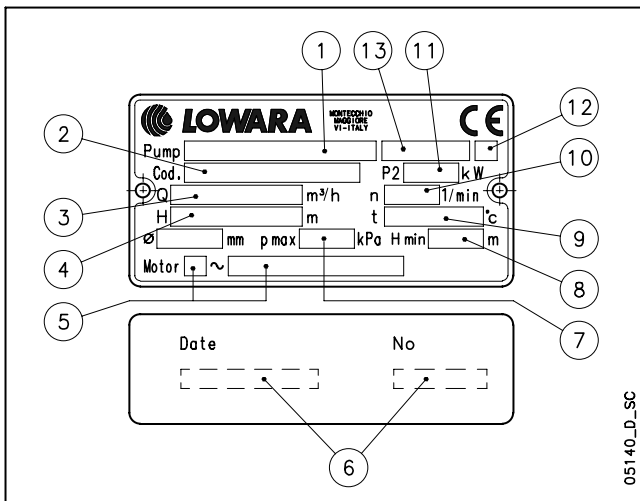
SVI 2, 4, 8, 16 (S, N)



LEGEND

- 1 - Electric pump type
- 2 - Code
- 3 - Delivery range
- 4 - Head range
- 5 - Motor type
- 6 - Date of manufacturing and serial number
- 7 - Impeller diameter
- 8 - Minimum head
- 9 - Mechanical seal material identification code
- 10 - Speed
- 11 - Rated power
- 12 - Maximum operating temperature
- 13 - Maximum operating pressure
- 14 - O-ring material identification code

SVI 33, 46, 66, 92 (S, N)

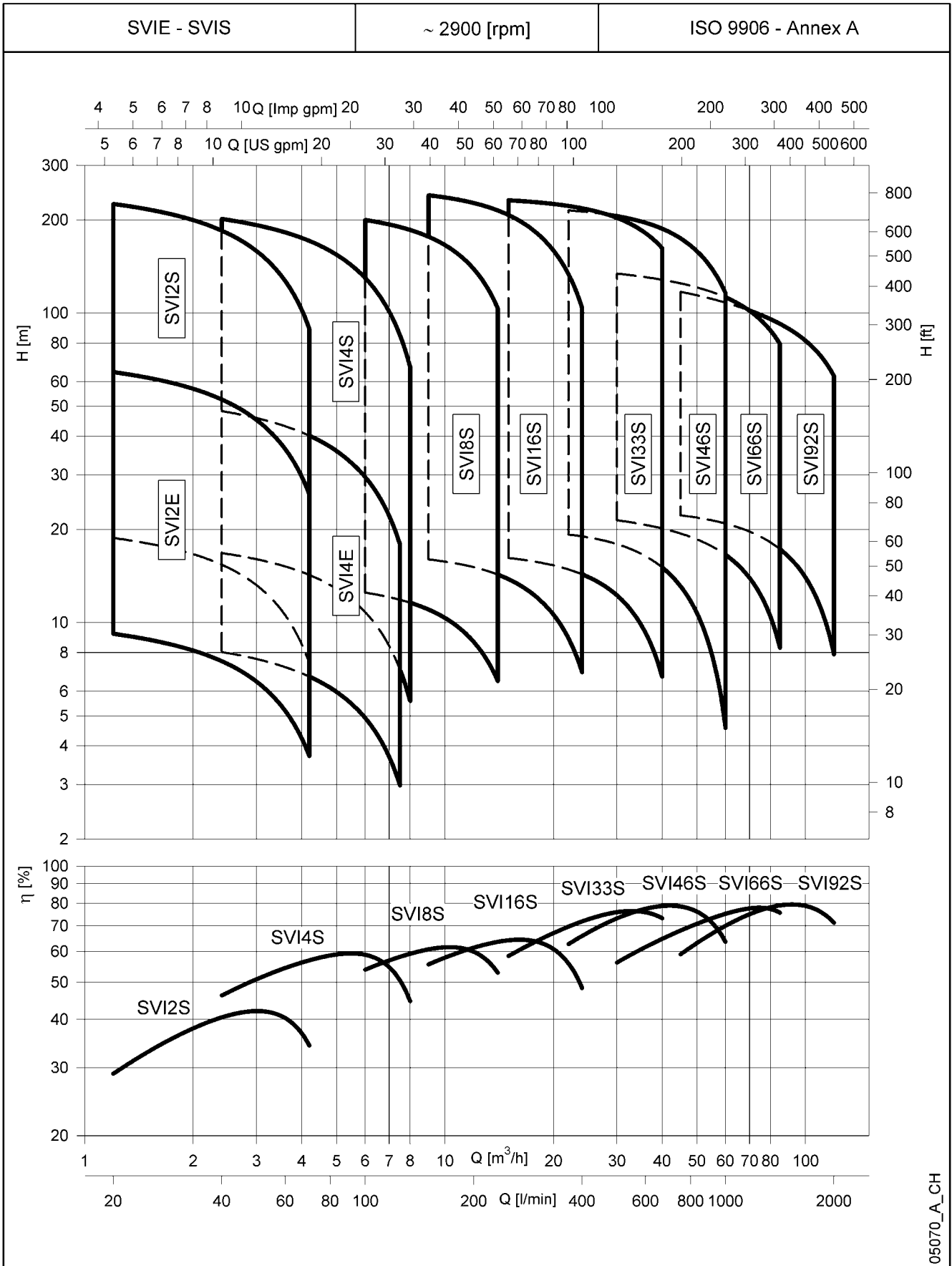


LEGEND

- 1 - Electric pump type
- 2 - Code
- 3 - Delivery range
- 4 - Head range
- 5 - Motor type
- 6 - Date of manufacturing and serial number
- 7 - Maximum operating pressure *
- 8 - Minimum head
- 9 - Maximum operating temperature *
- 10 - Speed
- 11 - Rated power
- 12 - O-ring material identification code
- 13 - Mechanical seal material identification code

* To be verified on pressure/temperature limit diagrams (pag. 14)

SVI SERIES
HYDRAULIC PERFORMANCE RANGE AT 50 Hz



05070_A_CH

SVI 66, 92 SERIES

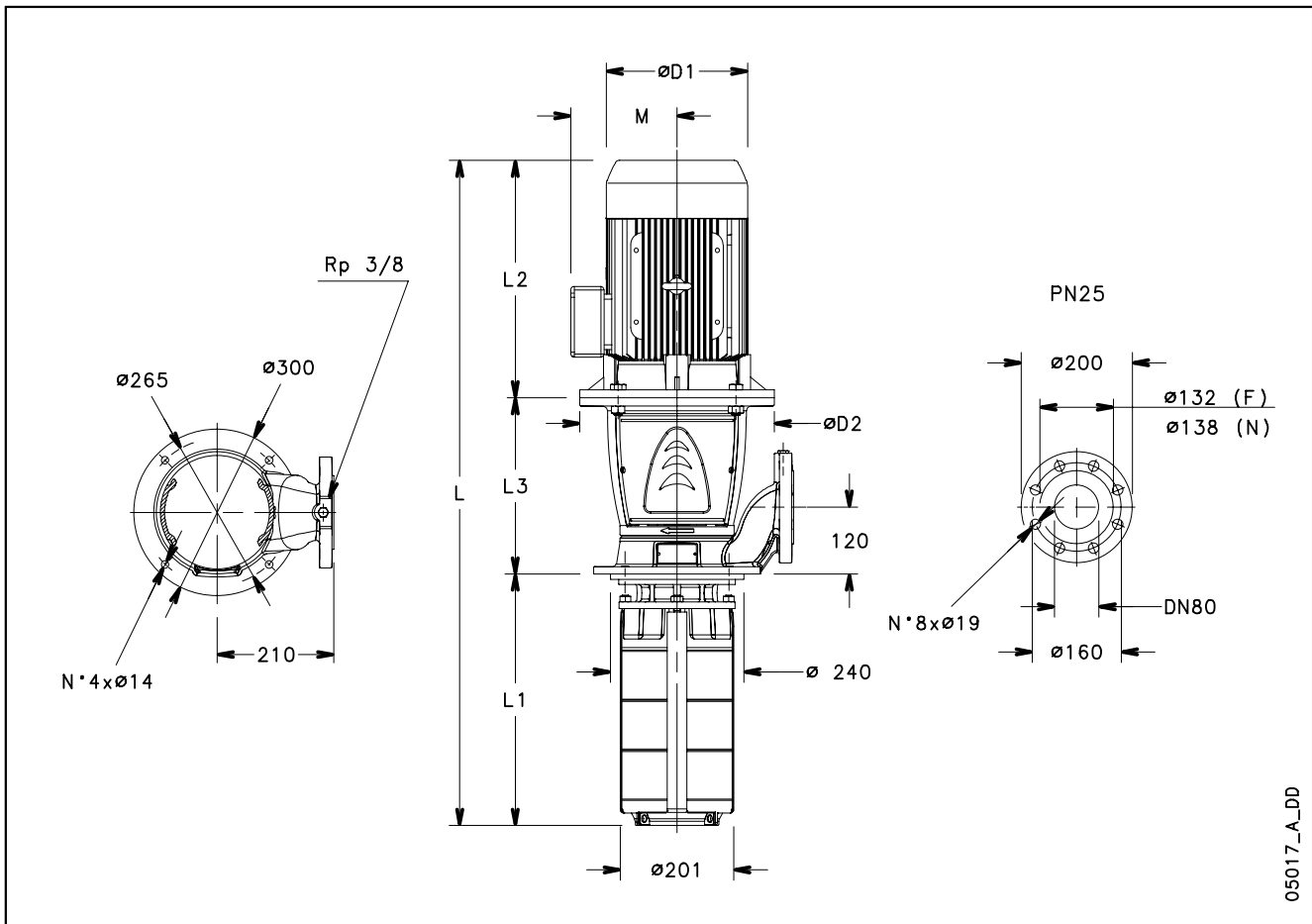
TABLE OF HYDRAULIC PERFORMANCES AT 50 Hz, 2 POLES

PUMP TYPE	RATED POWER		Q = DELIVERY											
			l/min 0	500	600	750	900	1000	1100	1200	1416,7	1600	1800	2000
	kW	HP	m ³ /h 0	30	36	45	54	60	66	72	85	96	108	120
H = TOTAL HEAD METRES COLUMN OF WATER														
SVI 6601/1S	4	5,5	23,8	21,4	20,7	19,4	17,8	16,6	15,1	13,3	8,3			
SVI 6601S	5,5	7,5	29,2	25,8	24,8	23,3	21,8	20,7	19,4	17,9	13,4			
SVI 6602/2S	7,5	10	47,5	42,6	41,2	38,6	35,5	32,9	30,0	26,4	16,4			
SVI 6602S	11	15	60,4	55,7	54,4	52,0	49,3	47,1	44,7	42,0	34,6			
SVI 6603/2S	15	20	78,4	71,6	69,6	65,9	61,5	57,9	53,8	49,0	35,3			
SVI 6603S	18,5	25	91,4	84,7	82,7	79,3	75,2	72,0	68,5	64,4	53,5			
SVI 6604/1S	22	30	115,2	105,9	103,1	98,5	92,9	88,6	83,6	77,8	61,7			
SVI 6605/1S	30	40	145,6	134,0	130,5	124,7	117,8	112,4	106,3	99,2	79,4			
SVI 9201/1S	5,5	7,5	24,5			22,2	21,5	20,9	20,2	19,4	17,3	15,0	11,8	7,9
SVI 9201S	7,5	10	33,5			28,7	27,2	26,2	25,3	24,3	22,2	20,2	17,6	14,3
SVI 9202/2S	11	15	49,4			45,1	43,7	42,5	41,2	39,6	35,5	30,9	24,6	16,8
SVI 9202S	15	20	67,8			58,2	55,3	53,4	51,4	49,5	45,3	41,4	36,3	29,6
SVI 9203/2S	18,5	25	82,4			74,4	71,6	69,6	67,3	64,8	58,6	52,2	43,6	32,9
SVI 9203S	22	30	102,2			88,2	84,0	81,2	78,4	75,5	69,2	63,4	55,9	46,3
SVI 9204/2S	30	40	115,7			104,0	99,9	97,0	93,8	90,4	82,2	73,8	62,8	49,0
SVI 9204S	30	40	133,1			117,0	111,7	108,0	104,4	100,6	92,3	84,6	74,8	62,5

Performances in compliance with ISO 9906 - Annex A.

svi66-92-2p50-en_a_th

SVI 66 (S, N) SERIES DIMENSIONS AND WEIGHTS AT 50 Hz, 2 POLES



05017_A_DD

PUMP TYPE	MOTOR		DIMENSIONS (mm)							ELECTRIC PUMP WEIGHT	
	kW	SIZE	L	L1	L2	L3	M	D1	D2	kg	
SVI6601/1-01S40T/P	4	112	853	272	319	262	154	197	160	73	
SVI6601-01S55T/P	5,5	132	929	272	375	282	168	214	300	83	
SVI6602/2-02S75T/P	7,5	132	1011	362	367	282	191	256	300	109	
SVI6602-02S110T/P	11	160	1107	362	428	317	191	256	350	124	
SVI6603/2-03S150T/P	15	160	1263	452	494	317	240	313	350	159	
SVI6603-03S185T/P	18,5	160	1263	452	494	317	240	313	350	160	
SVI6604/1-04S220T/P	22	180	1353	542	494	317	240	313	350	190	
SVI6605/1-05S300T/C	30	200	1606	632	657	317	317	402	400	299	

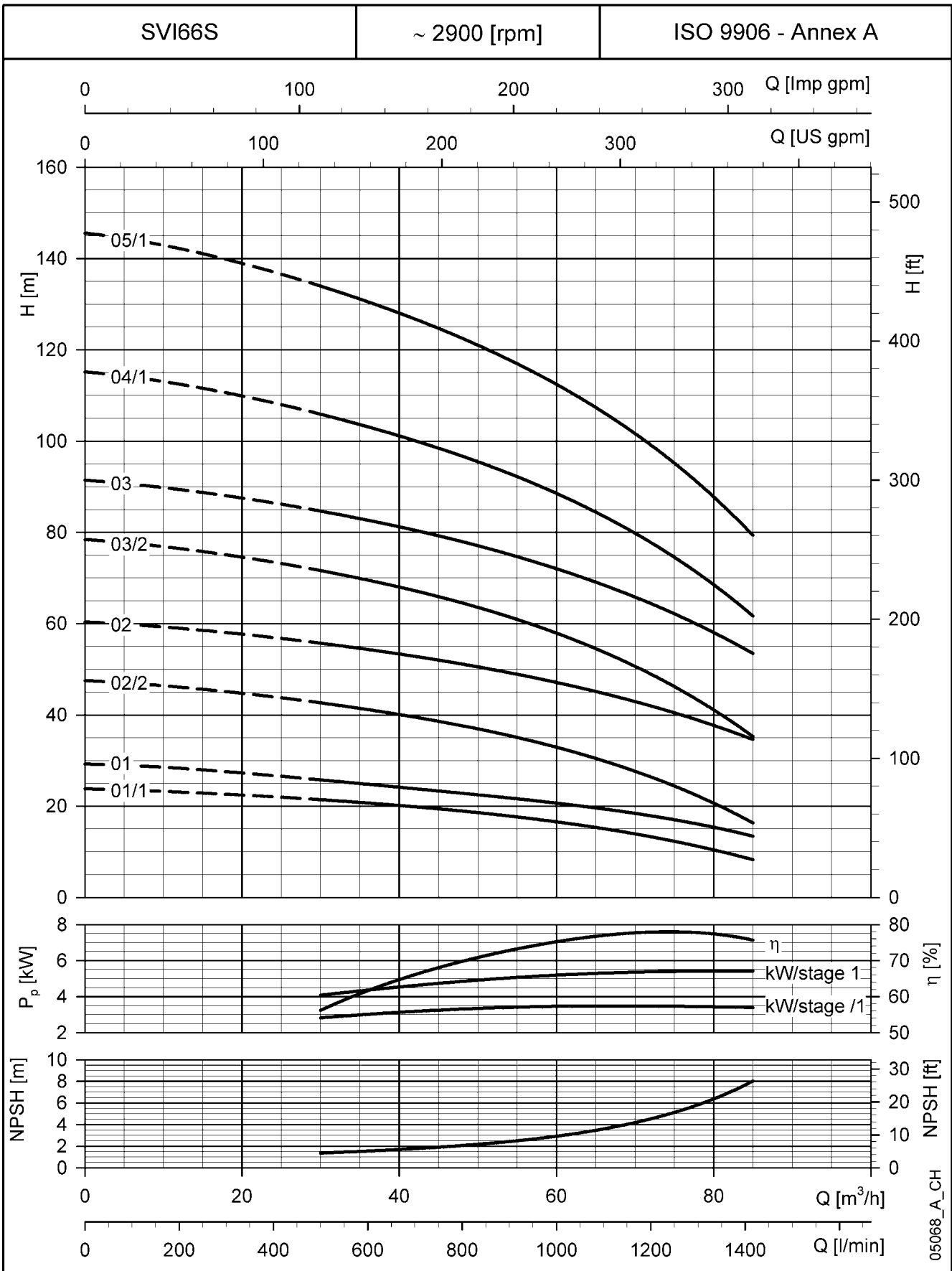
svi66s-2p50-en_c_td

	PUMP TYPE	MOTOR		DIMENS. L2+L3 mm	NUMBER OF STAGES									
		kW	SIZE		1	2	3	4	5	6	7	8	9	10
NUMBER OF IMPELLERS	SVI6601/1-...	4	112	581	272	362	452	542	632	722	812	902	992	1082
	SVI6601-...	5,5	132	657	272	362	452	542	632	722	812	902	992	1082
	SVI6602/2-...	7,5	132	649		362	452	542	632	722	812	902	992	1082
	SVI6602-...	11	160	745		362	452	542	632	722	812	902	992	1082
	SVI6603/2-...	15	160	811			452	542	632	722	812	902	992	1082
	SVI6603-...	18,5	160	811			452	542	632	722	812	902	992	1082
	SVI6604/1-...	22	180	811		L1 Standard		542	632	722	812	902	992	1082
	SVI6605/1-...	30	200	974					632	722	812	902	992	1082

* The hydraulic performances of the electric pumps with shank increased lengths can be lower than standard version.

svi66s-en_c_tcm

**SVI 66 (S, N) SERIES
OPERATING CHARACTERISTICS AT 50 Hz, 2 POLES**



These performances are valid for liquids with density $\rho = 1.0 \text{ Kg/dm}^3$ and kinematic viscosity $\nu = 1 \text{ mm}^2/\text{sec}$.