

## GENERAL CHARACTERISTICS

### 2-POLE SVI

	2E	4E	2S	4S	8S	16S	33S	46S	66S	92S
Max efficiency flow (m <sup>3</sup> /h)	3	5,5	3	5,5	10,5	16	33	42	74	92
Flow range (m <sup>3</sup> /h)	1,2÷4,2	2,4÷7,2	1,2÷4,2	2,4÷7,2	6÷14	9÷24	15÷40	22÷60	30÷85	45÷120
Maximum pressure ( bar )	8	6	26	23	22	25	24	22	15	13
Motor power ( kW )	0,37÷0,9	0,37÷0,9	0,37÷3	0,37÷4	0,75÷7,5	1,1÷15	2,2÷30	3÷30	4÷30	5,5÷30
Max $\eta$ ( % ) of pump	42	57	42	59,5	61,5	64,5	76,5	79	78	79,5
Standard temperature ( °C )	-10 +60		-10 +90							

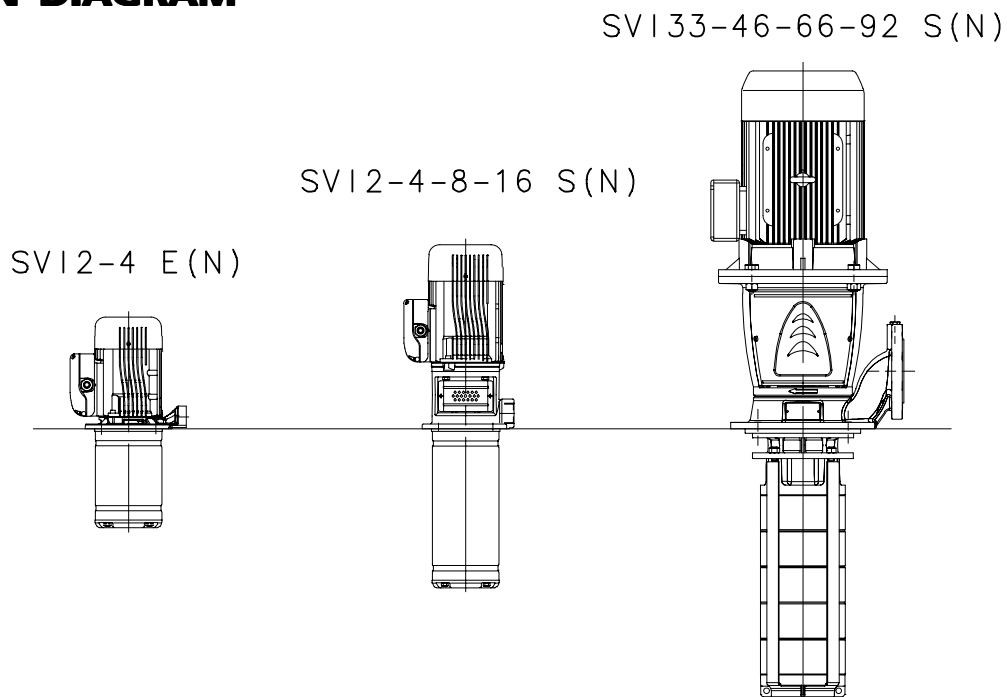
svi-2p50-en\_a\_tg

## SVI VERSIONS

	VERSION	HYDRAULIC	UPPER HEAD	DELIVERY PORT
<b>SVI2-4E</b>	CLOSE-COUPLED	AISI 304	CAST IRON	Threaded Rp 3/4
<b>SVI2-4EN</b>	CLOSE-COUPLED	AISI 316	AISI 316	Threaded Rp 3/4
<b>SVI2-4S</b>	WITH COUPLING	AISI 304	CAST IRON	Threaded Rp 1 1/4
<b>SVI2-4N</b>	WITH COUPLING	AISI 316	AISI 316	Threaded Rp 1 1/4
<b>SVI8-16S</b>	WITH COUPLING	AISI 304	CAST IRON	Threaded Rp 2
<b>SVI8-16N</b>	WITH COUPLING	AISI 316	AISI 316	Threaded Rp 2
<b>SVI33-46-66-92S</b>	WITH COUPLING	AISI 304	CAST IRON	Flanged DN 80
<b>SVI33-46-66-92N</b>	WITH COUPLING	AISI 316	AISI 316	Flanged DN 80

svi-vers-2p50-en\_a\_tc

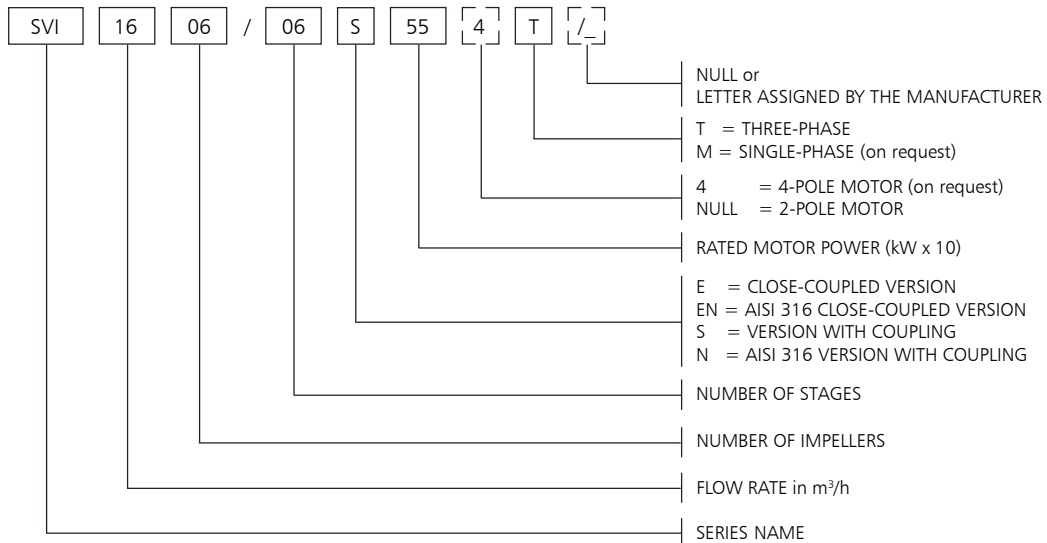
## VERSION DIAGRAM



05003\_A\_SC

## IDENTIFICATION CODE

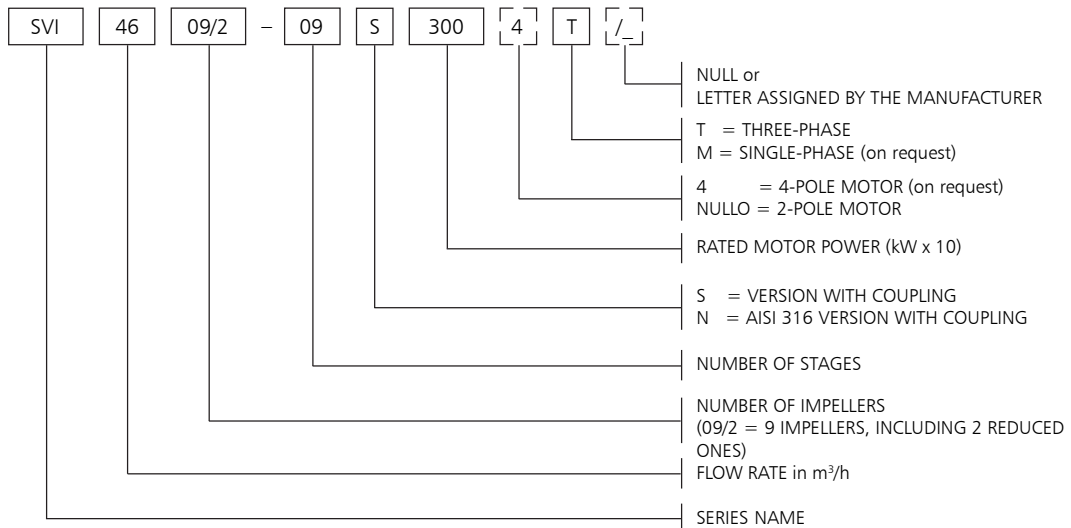
### SVI 2, 4, 8, 16



EXAMPLE : SVI1606/06S55T

SVI Series Electric pump, flow rate 16 m<sup>3</sup>/h, number of impellers 6, number of stages 6, S version with coupling, rated motor power 5,5 kW, 50 Hz version, three-phase.

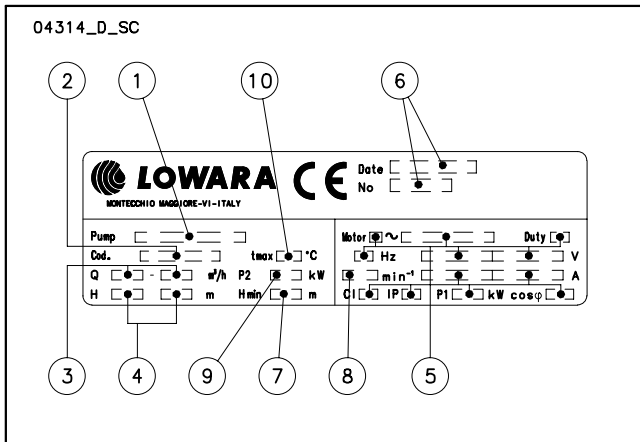
### SVI 33, 46, 66, 92



EXAMPLE : SVI4609/2-09S300T

SVI Series Electric pump, flow rate 46 m<sup>3</sup>/h, number of impellers 9 including 2 reduced ones, number of stages 9, S version with coupling, rated motor power 30 kW, 50 Hz version, three-phase.

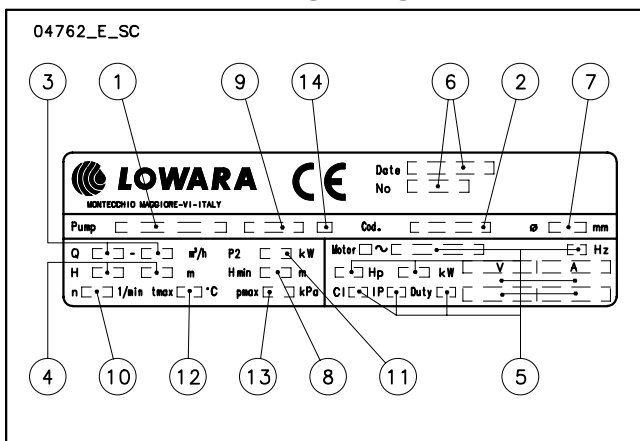
**RATING PLATE  
SVI 2, 4 (E, EN)**



**LEGEND**

- 1 - Electric pump type
- 2 - Code
- 3 - Delivery range
- 4 - Head range
- 5 - Motor type
- 6 - Date of manufacturing and serial number
- 7 - Minimum head
- 8 - Speed
- 9 - Rated power
- 10 - Maximum operating temperature

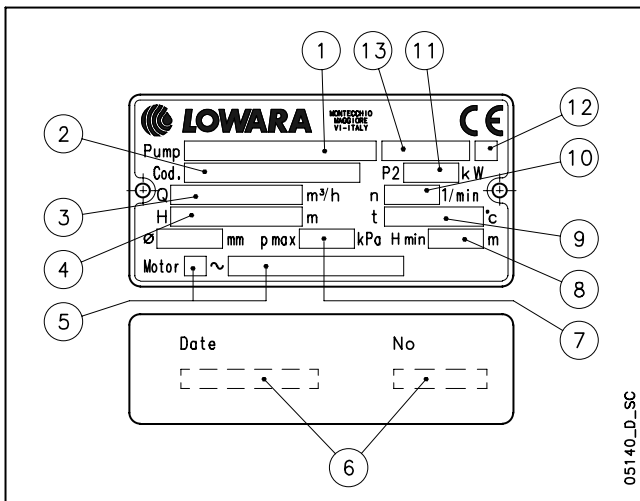
**SVI 2, 4, 8, 16 (S, N)**



**LEGEND**

- 1 - Electric pump type
- 2 - Code
- 3 - Delivery range
- 4 - Head range
- 5 - Motor type
- 6 - Date of manufacturing and serial number
- 7 - Impeller diameter
- 8 - Minimum head
- 9 - Mechanical seal material identification code
- 10 - Speed
- 11 - Rated power
- 12 - Maximum operating temperature
- 13 - Maximum operating pressure
- 14 - O-ring material identification code

**SVI 33, 46, 66, 92 (S, N)**

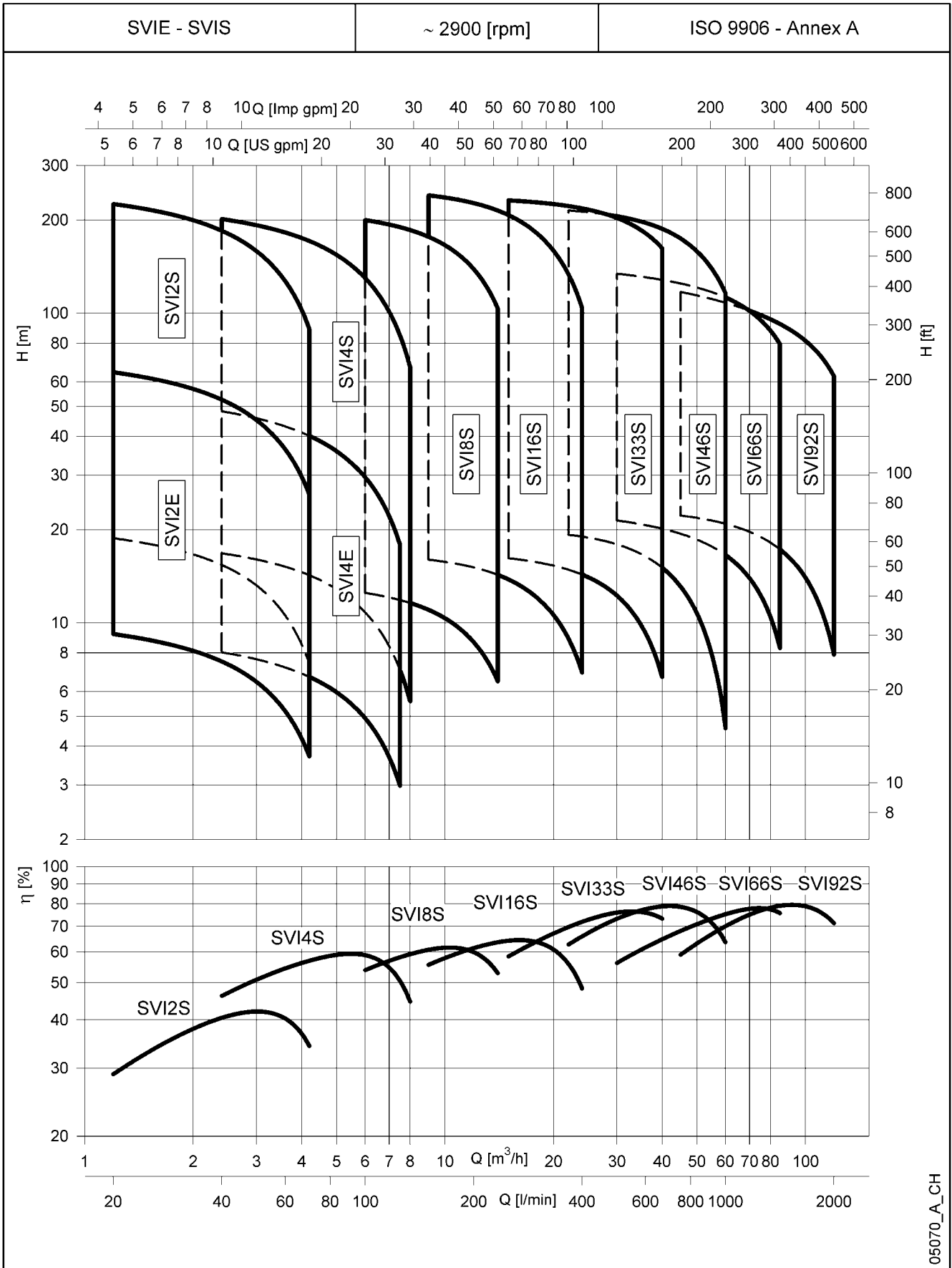


**LEGEND**

- 1 - Electric pump type
- 2 - Code
- 3 - Delivery range
- 4 - Head range
- 5 - Motor type
- 6 - Date of manufacturing and serial number
- 7 - Maximum operating pressure \*
- 8 - Minimum head
- 9 - Maximum operating temperature \*
- 10 - Speed
- 11 - Rated power
- 12 - O-ring material identification code
- 13 - Mechanical seal material identification code

\* To be verified on pressure/temperature limit diagrams (pag. 14)

**SVI SERIES**  
**HYDRAULIC PERFORMANCE RANGE AT 50 Hz**



05070\_A\_CH

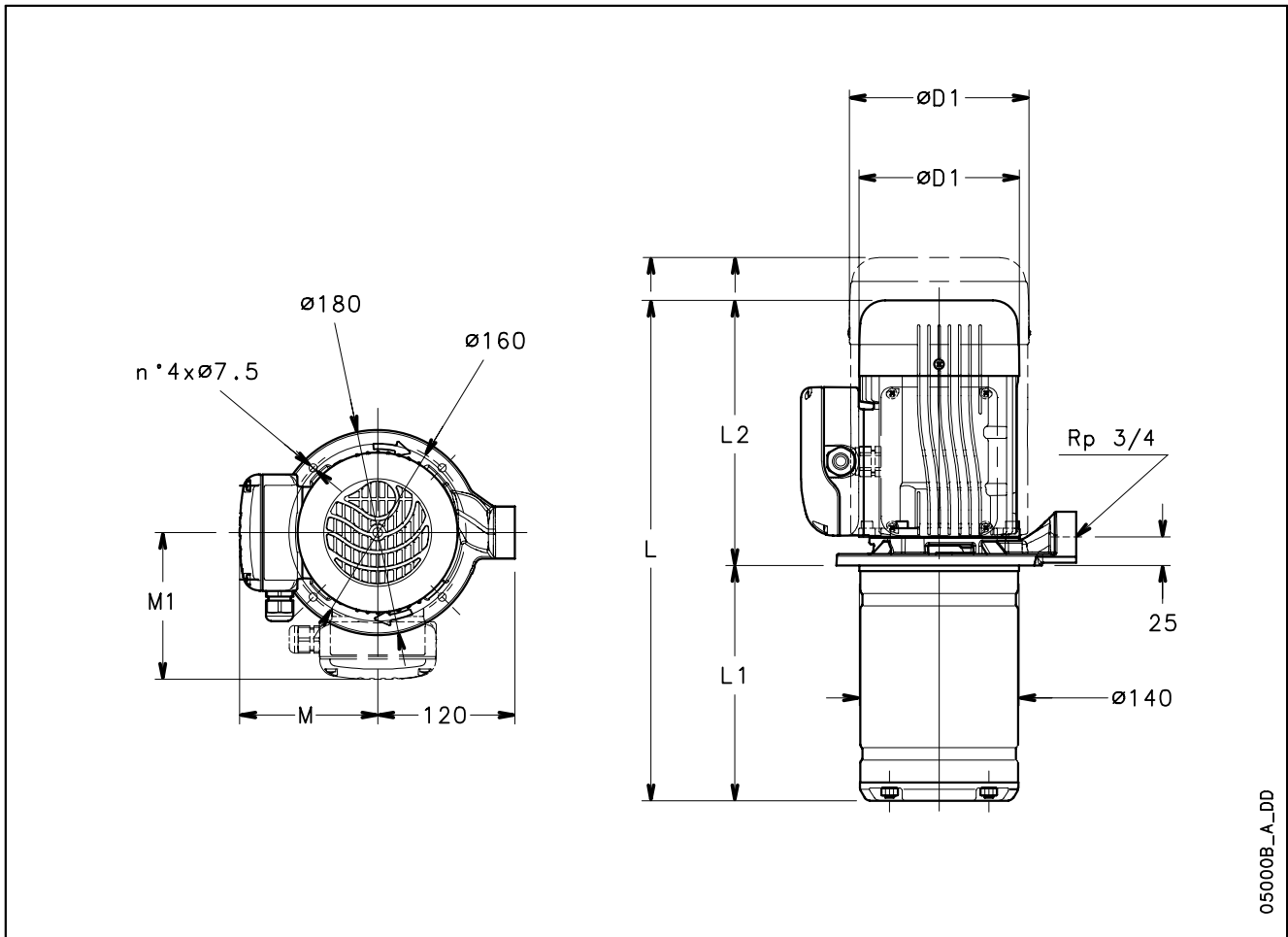
## SVI 8, 16 SERIES TABLE OF HYDRAULIC PERFORMANCES AT 50 Hz, 2 POLES

PUMP TYPE	RATED POWER		Q = DELIVERY											
			V <sub>min</sub> 0	100	125	150	175	200	233	250	275	300	350	400
	kW	HP	m <sup>3</sup> /h 0	6	7,5	9	10,5	12	14	15	16,5	18	21	24
H = TOTAL HEAD METRES COLUMN OF WATER														
SVI 801S	0,75	1	14,0	12,5	11,8	11,0	10,0	8,7	6,5					
SVI 802S	1,1	1,5	28,0	25,0	23,7	22,1	20,0	17,4	13,0					
SVI 803S	1,5	2	42,0	37,5	35,5	33,1	29,9	26,0	19,4					
SVI 804S	2,2	3	56,0	50,0	47,4	44,1	39,9	34,7	25,9					
SVI 805S	2,2	3	70,0	62,4	59,2	55,1	49,9	43,4	32,4					
SVI 806S	3	4	84,0	74,9	71,1	66,2	59,9	52,1	38,9					
SVI 808S	4	5,5	112,0	99,9	94,8	88,2	79,9	69,5	51,8					
SVI 809S	4	5,5	126,0	112,4	106,6	99,2	89,8	78,1	58,3					
SVI 811S	5,5	7,5	154,0	137,4	130,3	121,3	109,8	95,5	71,3					
SVI 812S	5,5	7,5	168,0	149,9	142,2	132,3	119,8	104,2	77,8					
SVI 814S	7,5	10	196,0	174,9	165,9	154,4	139,8	121,5	90,7					
SVI 816S	7,5	10	224,0	199,8	189,6	176,4	159,7	138,9	103,7					
SVI 1601S	1,1	1,5	16,9			16,0	15,6	15,1	14,3	13,8	13,0	12,1	9,8	6,9
SVI 1602S	2,2	3	33,7			32,0	31,2	30,2	28,6	27,6	26,0	24,1	19,6	13,9
SVI 1603S	3	4	50,6			48,0	46,8	45,3	42,9	41,5	39,0	36,2	29,4	20,8
SVI 1604S	4	5,5	67,5			64,0	62,4	60,4	57,2	55,3	52,0	48,3	39,1	27,7
SVI 1605S	5,5	7,5	84,3			80,0	78,0	75,6	71,5	69,1	65,0	60,3	48,9	34,6
SVI 1606S	5,5	7,5	101,2			96,0	93,6	90,7	85,8	82,9	78,0	72,4	58,7	41,6
SVI 1607S	7,5	10	118,1			112,0	109,2	105,8	100,1	96,7	91,0	84,5	68,5	48,5
SVI 1608S	7,5	10	134,9			128,0	124,8	120,9	114,4	110,6	104,0	96,5	78,3	55,4
SVI 1610S	11	15	168,7			160,0	156,0	151,1	143,0	138,2	130,0	120,7	97,9	69,3
SVI 1612S	11	15	202,4			192,0	187,2	181,3	171,6	165,8	156,1	144,8	117,4	83,1
SVI 1614S	15	20	236,1			224,0	218,4	211,6	200,2	193,5	182,1	168,9	137,0	97,0
SVI 1615S	15	20	253,0			240,0	234,1	226,7	214,5	207,3	195,1	181,0	146,8	103,9

Performances in compliance with ISO 9906 - Annex A.

svi8-16-2p50-en\_a\_th

## SVI 4 (E, EN) SERIES DIMENSIONS AND WEIGHTS AT 50 Hz, 2 POLES



PUMP TYPE	MOTOR		DIMENSIONS (mm)						ELECTRIC PUMP WEIGHT
	kW	SIZE	L	L1	L2	M	M1	D1	kg
SVI401/03E03T/A	0,37	63	324	106	218	111	-	120	8,8
SVI402/03E03T/A	0,37	63	324	106	218	111	-	120	8,9
SVI403/03E04T/A	0,45	63	324	106	218	111	-	120	9,8
SVI404/04E05T/A	0,55	63	349	131	218	111	-	120	10,6
SVI405/05E07T/D	0,75	80	433	156	276	-	129	155	15,4
SVI406/06E09T/D	0,9	80	458	181	276	-	129	155	16,5

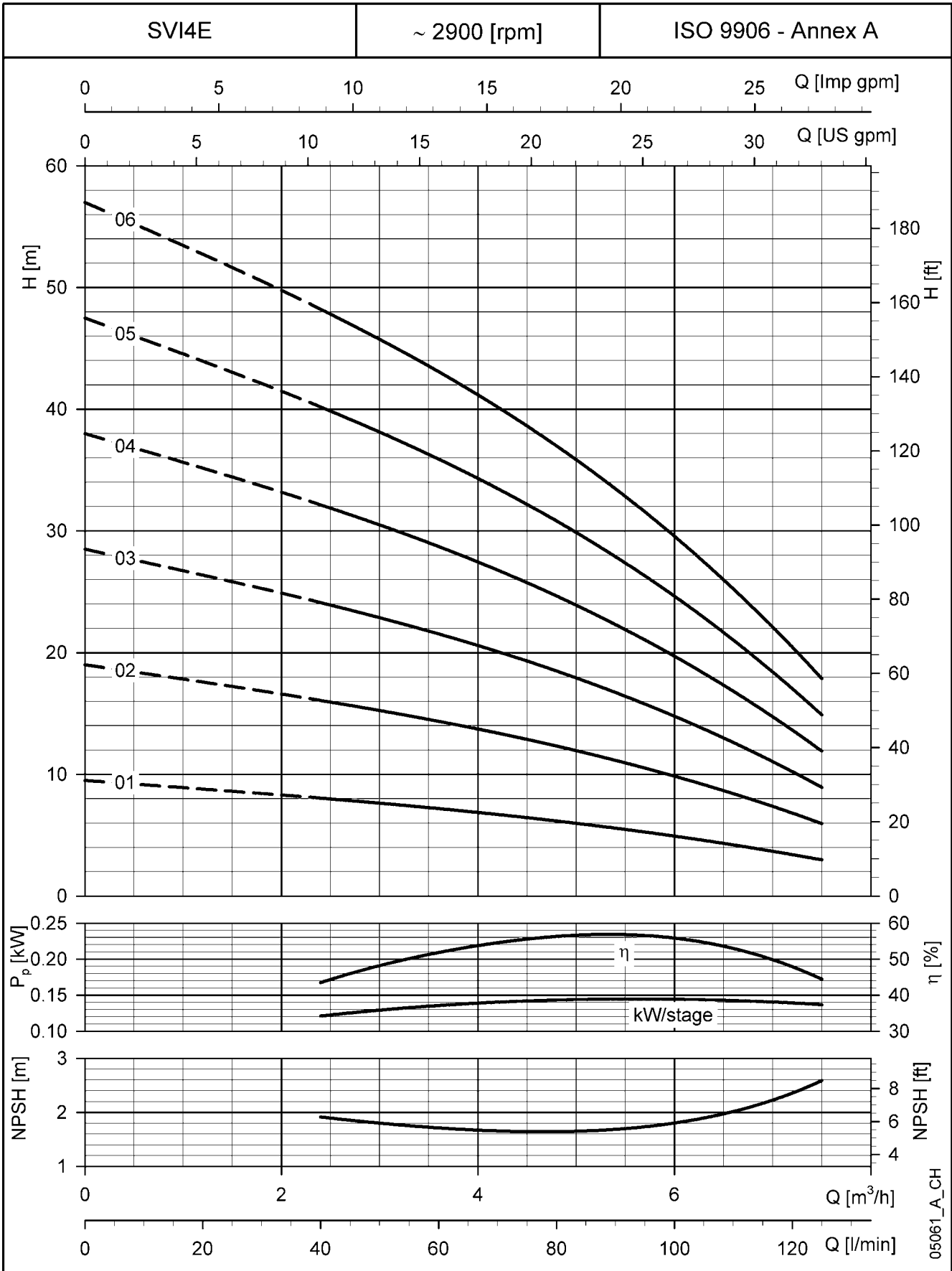
svi4e-2p50-en\_d\_td

	PUMP TYPE	MOTOR		DIMENS. L2 mm	NUMBER OF STAGES							
		kW	SIZE		3	4	5	6	7	8	10	13
N. OF IMPELLERS	SVI401/..	0,37	63	218	106	131	156	181	206	231	281	356
	SVI402/..	0,37	63	218	106	131	156	181	206	231	281	356
	SVI403/..	0,45	63	218	106	131	156	181	206	231	281	356
	SVI404/..	0,55	63	218		131	156	181	206	231	281	356
	SVI405/..	0,75	80	276	L1 Standard		156	181	206	231	281	356
	SVI406/..	0,99	80	276			181	206	231	281	356	

\* The hydraulic performances of the electric pumps with shank increased lengths can be lower than standard version.

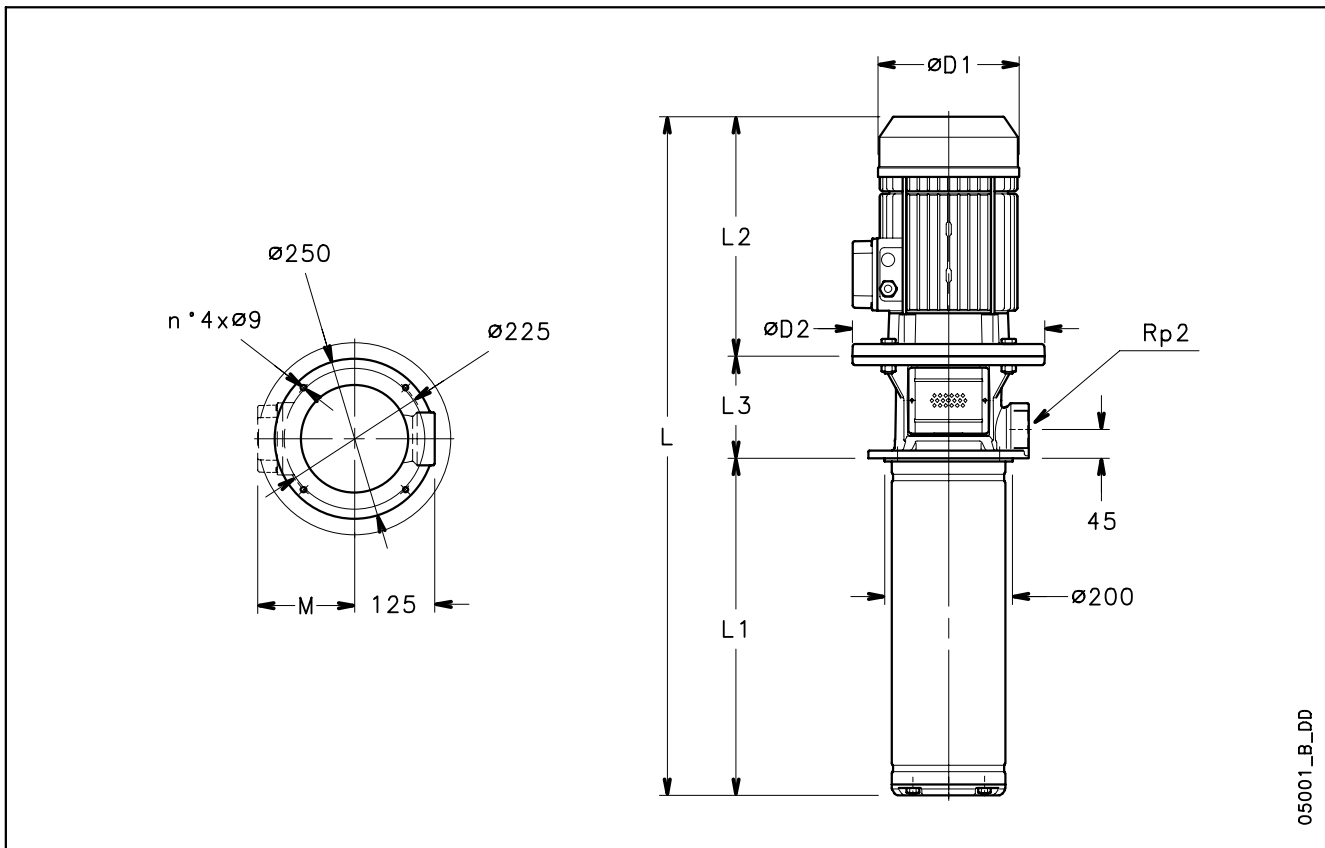
svi4e-en\_c\_tcm

**SVI 4 (E, EN) SERIES**  
**OPERATING CHARACTERISTICS AT 50 Hz, 2 POLES**



These performances are valid for liquids with density  $\rho = 1.0 \text{ Kg/dm}^3$  and kinematic viscosity  $\nu = 1 \text{ mm}^2/\text{sec}$ .

## SVI 8 (S, N) SERIES DIMENSIONS AND WEIGHTS AT 50 Hz, 2 POLES



05001\_B\_DD

PUMP TYPE	MOTOR		DIMENSIONS (mm)							ELECTRIC PUMP WEIGHT	
	kW	SIZE	L	L1	L2	L3	M	D1	D2	kg	
SVI801/02S07T/D	0,75	80	528	146	263	119	129	155	120	24	
SVI802/02S11T/D	1,1	80	528	146	263	119	129	155	120	25	
SVI803/03S15T/D	1,5	90	576	184	263	129	129	155	140	29	
SVI804/04S22T/C	2,2	90	649	222	298	129	134	174	140	35	
SVI805/05S22T/C	2,2	90	687	260	298	129	134	174	140	36	
SVI806/06S30T/P	3	100	735	298	298	139	134	174	160	40	
SVI808/08S40T/P	4	112	832	374	319	139	154	197	160	57	
SVI809/09S40T/P	4	112	870	412	319	139	154	197	160	58	
SVI811/11S55T/P	5,5	132	1022	488	375	159	168	214	300	69	
SVI812/12S55T/P	5,5	132	1060	526	375	159	168	214	300	70	
SVI814/14S75T/P	7,5	132	1128	602	367	159	191	256	300	88	
SVI816/16S75T/P	7,5	132	1204	678	367	159	191	256	300	89	

svi8s-2p50-en\_d\_ttd

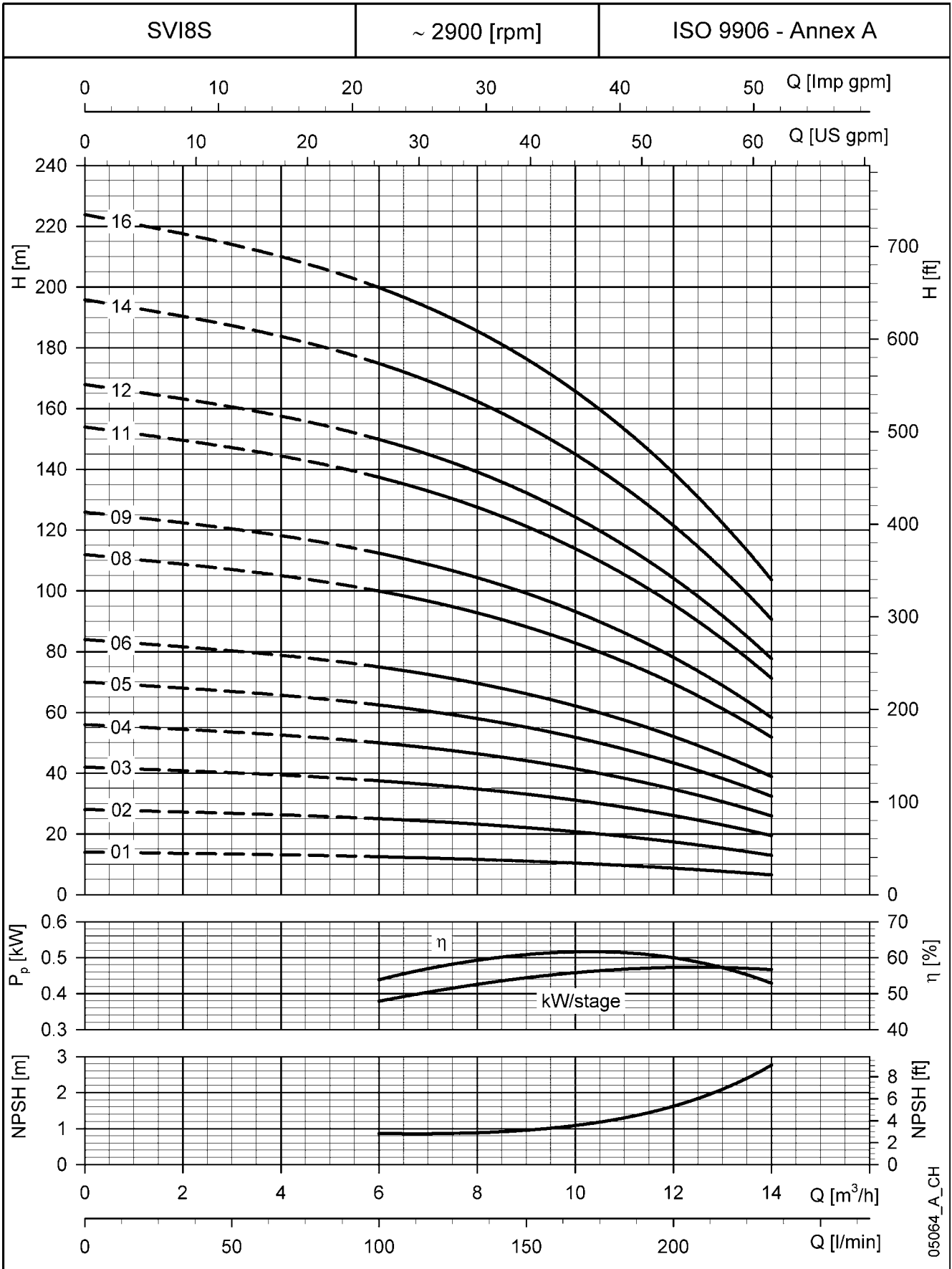
NUMBER OF IMPELLERS	PUMP TYPE	MOTOR		DIMENS. L2+L3 mm	NUMBER OF STAGES													
		kW	SIZE		2	3	4	5	6	7	8	9	10	11	12	14	15	16
		L1 Shank increased lengths ( AVAILABLE ON REQUEST *)																
SVI801/..	0,75	80	382	146	184	222	260	298	336	374	412	450	488	526	602	640	678	
SVI802/..	1,1	80	382	146	184	222	260	298	336	374	412	450	488	526	602	640	678	
SVI803/..	1,5	90	392		184	222	260	298	336	374	412	450	488	526	602	640	678	
SVI804/..	2,2	90	427			222	260	298	336	374	412	450	488	526	602	640	678	
SVI805/..	2,2	90	427				260	298	336	374	412	450	488	526	602	640	678	
SVI806/..	3	100	437					298	336	374	412	450	488	526	602	640	678	
SVI808/..	4	112	458							374	412	450	488	526	602	640	678	
SVI809/..	4	112	458								412	450	488	526	602	640	678	
SVI811/..	5,5	132	534										488	526	602	640	678	
SVI812/..	5,5	132	534											526	602	640	678	
SVI814/..	7,5	132	526												602	640	678	
SVI816/..	7,5	132	526														678	

\* The hydraulic performances of the electric pumps with shank increased lengths can be lower than standard version.

svi8s-en\_d\_tcm



**SVI 8 (S, N) SERIES  
OPERATING CHARACTERISTICS AT 50 Hz, 2 POLES**



05064\_A\_CH

These performances are valid for liquids with density  $\rho = 1.0 \text{ Kg/dm}^3$  and kinematic viscosity  $\nu = 1 \text{ mm}^2/\text{sec}$ .