

DV 6248 TD

# DC diagonal compact fan

sickle-shaped blades (S series)



## Nominal data

Type	DV 6248 TD	
Nominal voltage	VDC	48
Nominal voltage range	VDC	40 .. 55
Speed (rpm)	min <sup>-1</sup>	5500
Power consumption	W	89.0
Min. ambient temperature	°C	-20
Max. ambient temperature	°C	60
Air flow	m <sup>3</sup> /h	700
Sound power level	B	7.8
Sound pressure level	dB(A)	69

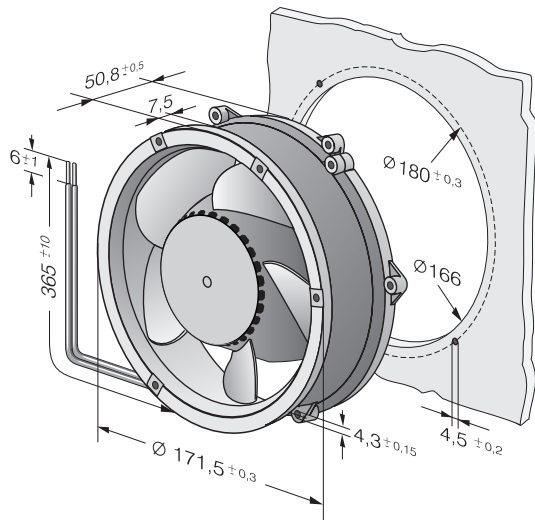
ml = Max. load · me = Max. efficiency · fa = Free air · cs = Customer specification · ce = Customer equipment  
Subject to change



## Technical description

<b>Weight</b>	0.820 kg
<b>Dimensions</b>	Ø 172 x 51 mm
<b>Impeller material</b>	Glass-fiber reinforced PA plastic
<b>Housing material</b>	Aluminum. Housing with grounding lug for M4 x 8 screw (Torx). 48 V design incl. screws.
<b>Airflow direction</b>	Exhaust over struts
<b>Direction of rotation</b>	Counterclockwise, viewed toward rotor
<b>Storage</b>	Ball bearing
<b>Service life L10 at 40 °C</b>	65000 h
<b>Service life L10 at maximum temperature</b>	40000 h
<b>Cable</b>	Leads AWG 22, TR 64, stripped and tin-plated.
<b>Approval</b>	VDE, CSA, UL, CE

## Product drawing



## Curves: Air performance

