

# AC axial fan

S series



- **Design:** Basket guard grille
- **Impeller material:** Sheet steel (enameled in black)
- **Bearings:** Maintenance-free ball bearings

## Nominal data

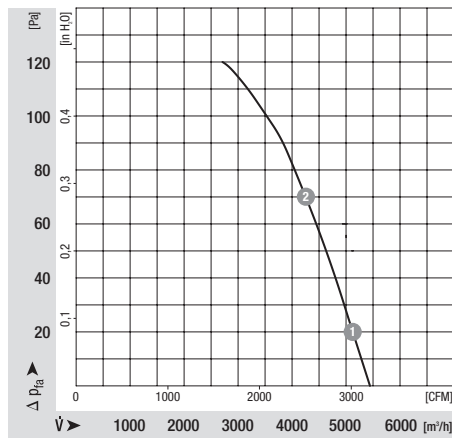
Type	Motor	Voltage 3 - VAC	Frequency Hz	Air flow m³/h	Speed 1/min	Power consumption W	Current draw A	Sound pressure level dB(A)	Operative range 50Hz Pa	Weight kg
S4D450AP0101	M4D074GA	230/400	50	5440	1380	200	0.48	72	0..120	5.0

Subject to modification

Current draw measured at 400 VAC (Y)

## Characteristic: Pressure over air flow at 50Hz

n [min-1]	P <sub>1</sub> [W]	ntl [%]	Lpa [dBA]
--------------	-----------------------	------------	--------------

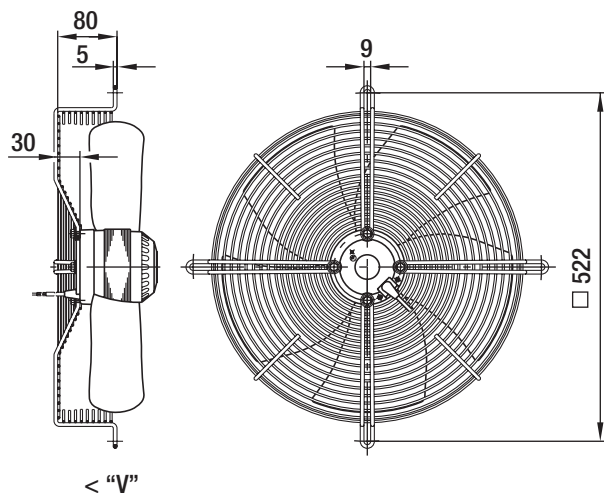


1	1360	220	--	--
2	1330	258	--	--

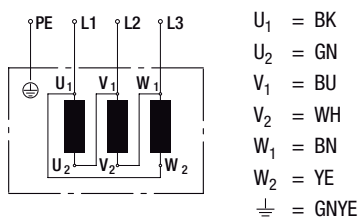
# AC axial fan

S series

## Specific drawing



## Connection illustration



## Technical description

- **Design:** Basket grille
- **Bearings:** Maintenance-free ball bearings
- **Direction of flow:** "V"
- **Cable layout:** Variable
- **Insulation class:** "F"
- **System of protection:** IP 44
- **Impeller material:** Sheet steel (enameled in black)
- **Direction of rotation:** Left, looking at rotor
- **Number of impeller blades:** 5
- **Operating mode:** S1
- **Protection class:** I
- **Option:** Available on request as 400 VAC (triangle/star) for 2 speed stages; with terminal box

## Contact

ebm-papst Mulfingen GmbH & Co. KG

Bachmühle 2

D-74673 Mulfingen

Phone +49 (0) 79 38 / 81-0

Fax +49 (0) 79 38 / 81-110

info1@de.ebmpapst.com

www.ebmpapst.com