



Nominal data

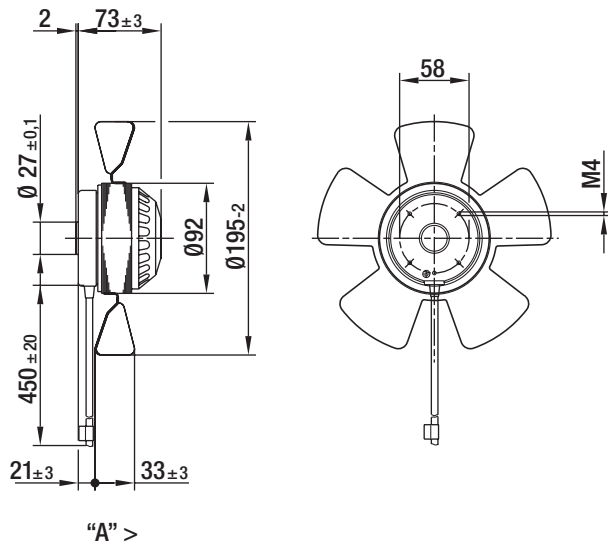
Type	A2E200-AF02-02		
Motor	M2E068-CA		
Phase		1~	1~
Nominal voltage	[V]	230	230
Frequency	[Hz]	50	60
Type of data definition		rfa	rfa
Valid for approval / standard		CE	CE
Speed	[min ⁻¹]	2740	3120
Power input	[W]	50	61
Current draw	[A]	0.24	0.28
Motor capacitor	[μF]	1.5	1.5
Capacitor voltage	[VDB]	400	400
Max. back pressure	[Pa]	200	200
Max. ambient temperature	[°C]	75	75
Air flow	[m ³ /h]	740	830
Back pressure	[Pa]	0	0
Sound pressure level	[dB(A)]	65	69

ml = max. load · me = max. efficiency · rfa = running at free air · cs = customer specs · cu = customer unit
Subject to alterations

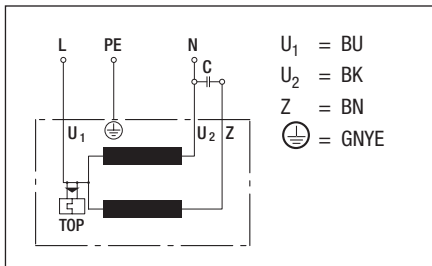
Technical features

Size	200 mm
Operation mode	Continuous operation (S1)
Direction of air flow	"A"
Insulation class	"B"
Cable exit	Variable
Bearing-motor	Ball bearing
Mass	1.4 kg
Material of impeller	Sheet steel, coated in black
Motor protection	Thermal overload protector (TOP) wired internally
Product conforming to standard	CE
Number of blades	5
Type of protection	IP 44
Protection class	I
Approval	CCC

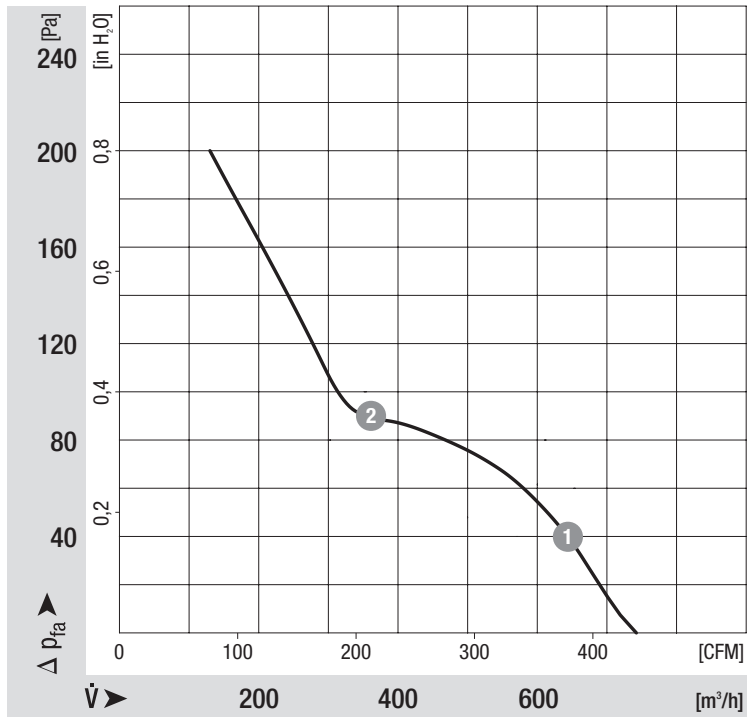
Product drawing



Connection screen



Charts: Air flow 50 Hz



	n	P ₁	I
	[min ⁻¹]	[W]	[A]
1	2670	51	0.24
2	2670	50	0.24

Charts: Air flow 60 Hz

