



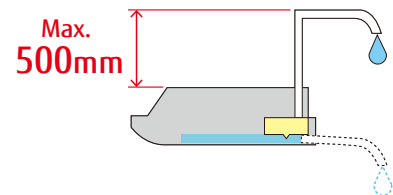
Specifications

Model name		ABHA030GTEH	ABHA036GTEH	ABHA045GTEH	ABHA054GTEH	
Power source		Single phase, ~230V, 50Hz				
Capacity	Cooling	9.0	11.2	12.5	14.0	
	Heating	10.0	12.5	14.0	16.0	
Input power	W	66	85	131	180	
Airflow rate	High	1,630	1,690	2,010	2,270	
	Med-H	1,520	1,560	1,840	2,070	
	Med	1,420	1,450	1,690	1,860	
	Med-L	1,320	1,360	1,530	1,660	
	Low	1,220	1,270	1,380	1,470	
	Quiet	1,140	1,170	1,230	1,280	
Sound pressure level	High	42	45	48	51	
	Med-H	40	41	46	49	
	Med	39	39	45	46	
	Med-L	37	38	41	43	
	Low	35	36	38	40	
	Quiet	33	34	35	36	
Net Dimensions (H × W × D)		mm	240 × 1,660 × 700	240 × 1,660 × 700	240 × 1,660 × 700	240 × 1,660 × 700
Weight		kg(lbs)	46 (101)	48 (106)	48 (106)	48 (106)
Connection pipe diameter	Liquid (Flare)	mm	9.52	9.52	9.52	9.52
	Gas (Flare)	mm	15.88	15.88	15.88	15.88
Drain hose diameter (I.D./O.D.)			25/32			

Note : Specifications are based on the following conditions.
 Cooling : Indoor temperature of 27°CDB / 19°CWB, and outdoor temperature of 35°CDB / 24°CWB.
 Heating : Indoor temperature of 20°CDB / (15°CWB), and outdoor temperature of 7°CDB / 6°CWB.
 Pipe length : 7.5 m; Height difference between outdoor unit and indoor unit : 0 m. Voltage : 230 [V].

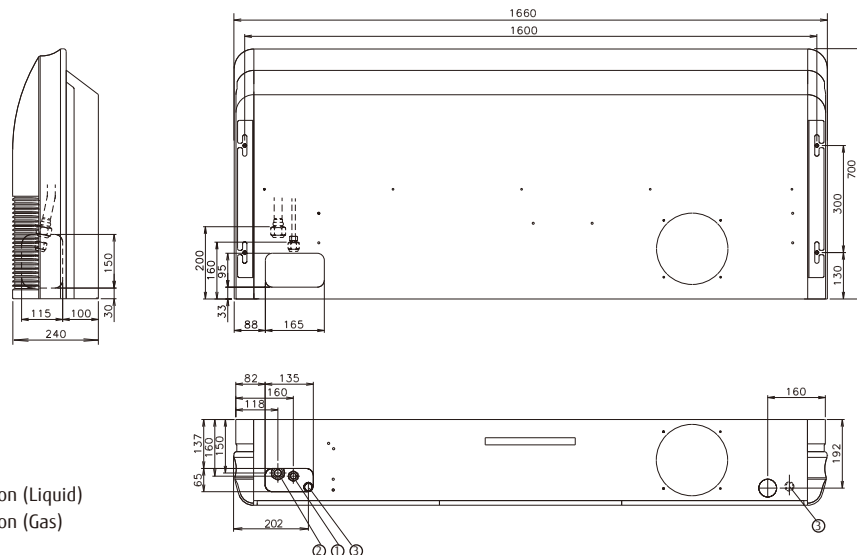
Optional parts

- Drain Pump Unit : UTR-DPB24T
- Flange : UTD-RF204
- External Power Supply Unit : UTZ-GXXA
- Wireless LAN Interface : UTY-TFSXZ1



Dimensions

(Unit : mm)



- ① Refrigerant piping flare connection (Liquid)
- ② Refrigerant piping flare connection (Gas)
- ③ Drain piping connection