

Model : ABHA012GTEH / ABHA014GTEH / ABHA018GTEH / ABHA024GTEH



Floor standing



Specifications

Model name		ABHA012GTEH	ABHA014GTEH	ABHA018GTEH	ABHA024GTEH	
Power source		Single phase, ~230V, 50Hz				
Capacity	Cooling	3.6	4.5	5.6	7.1	
	Heating	4.0	5.0	6.3	8.0	
Input power		30	42	74	99	
Airflow rate	High	660	780	1,000	1,000	
	Med-H	620	740	910	930	
	Med	580	690	830	870	
	Med-L	550	640	750	800	
	Low	520	600	660	740	
	Quiet	490	550	580	680	
Sound pressure level	High	36	40	46	47	
	Med-H	34	39	44	45	
	Med	33	38	42	43	
	Med-L	31	36	40	41	
	Low	29	35	37	39	
	Quiet	28	34	35	37	
Net Dimensions (H × W × D)		mm	199 × 990 × 655	199 × 990 × 655	199 × 990 × 655	199 × 990 × 655
Weight		kg(lbs)	25 (55)	26 (57)	26 (57)	27 (60)
Connection pipe diameter	Liquid (Flare)	mm	6.35	6.35	6.35	9.52
	Gas (Flare)	mm	12.70	12.70	12.70	15.88
Drain hose diameter (I.D./O.D.)			25/32			

Note : Specifications are based on the following conditions.

Cooling : Indoor temperature of 27°CDB / 19°CWB, and outdoor temperature of 35°CDB / 24°CWB.

Heating : Indoor temperature of 20°CDB / (15°CWB), and outdoor temperature of 7°CDB / 6°CWB.

Pipe length : 7.5 m; Height difference between outdoor unit and indoor unit : 0 m. Voltage : 230 [V].

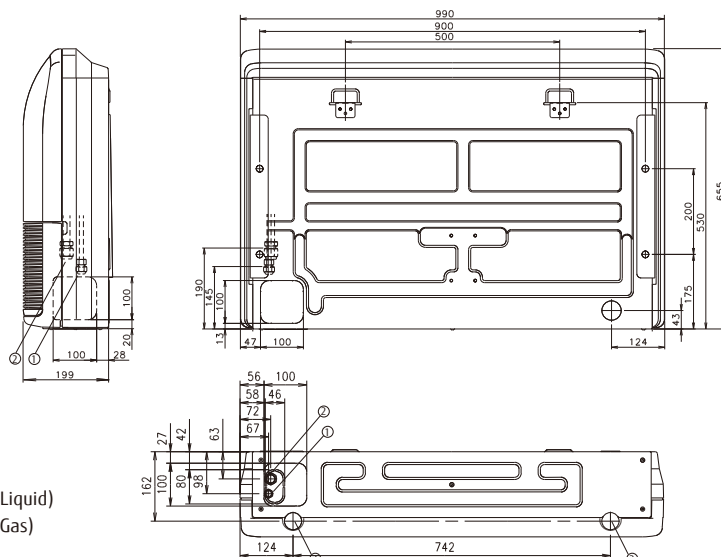
Optional parts

External Power Supply Unit : UTZ-GXXA

Wireless LAN Interface : UTY-TFSXZ1

Dimensions

(Unit : mm)



① Refrigerant piping flare connection (Liquid)

② Refrigerant piping flare connection (Gas)

③ Drain piping connection