

2-unit: AOHG14KBTA2 / AOHG18KBTA2



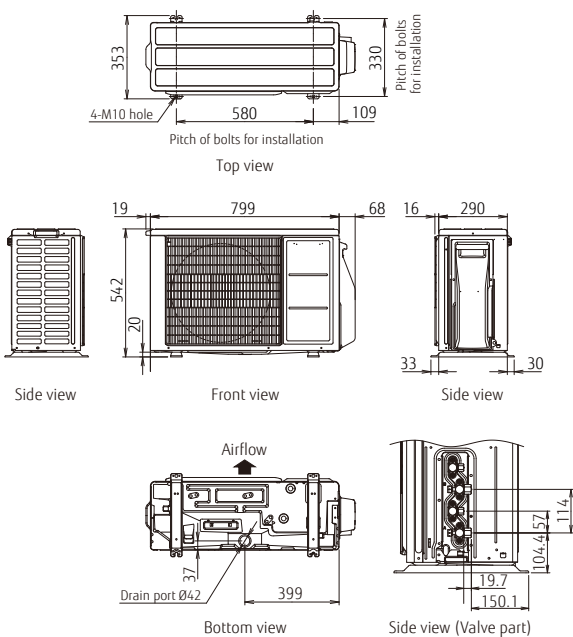
Specifications

Model No.			AOHG14KBTA2	AOHG18KBTA2	
Power Source			Single phase, ~230V, 50Hz		
Rated Capacity (min-max)	Cooling	kW	4.0 (1.4-4.6)	5.0 (1.7-5.8)	
	Heating		4.4 (1.1-5.5)	5.6 (1.8-6.6)	
EER	Cooling	W/W	4.12	4.03	
COP	Heating		4.63	4.59	
Sound Pressure Level (High)	Cooling	dB(A)	47	47	
	Heating		49	50	
Sound Power Level (High)	Cooling		60	60	
	Heating		62	62	
Airflow Rate	Cooling/Heating	m ³ /h	1,670/1,670	1,960/2,020	
Net Dimensions H × W × D			mm	542×799×290	632×799×290
Weight			kg(lbs)	33 (73)	37 (82)
Connection Pipe Diameter	Liquid	mm	6.35×2	6.35×2	
	Gas		9.52 × 2	9.52 × 2	
Max. Pipe Length			Total / Each	30 / 20	30 / 20
Max. Height Difference	Between Outdoor Unit and Each Indoor Units.	m	15	15	
	Between Indoor Units.		10	10	
Operation Range	Cooling	°CDB	-10 to 46	-10 to 46	
	Heating		-15 to 24	-15 to 24	
Refrigerant	Type (Global Warming Potential)		R32 (675)	R32 (675)	
	Charge	kg(CO ₂ eq-T)	0.9 (0.608)	1.02 (0.689)	

Dimensions

(Unit : mm)

AOHG14KBTA2



AOHG18KBTA2

