

R3G310-AJ40-71

EC centrifugal fan

backward curved, single inlet



Nominal data

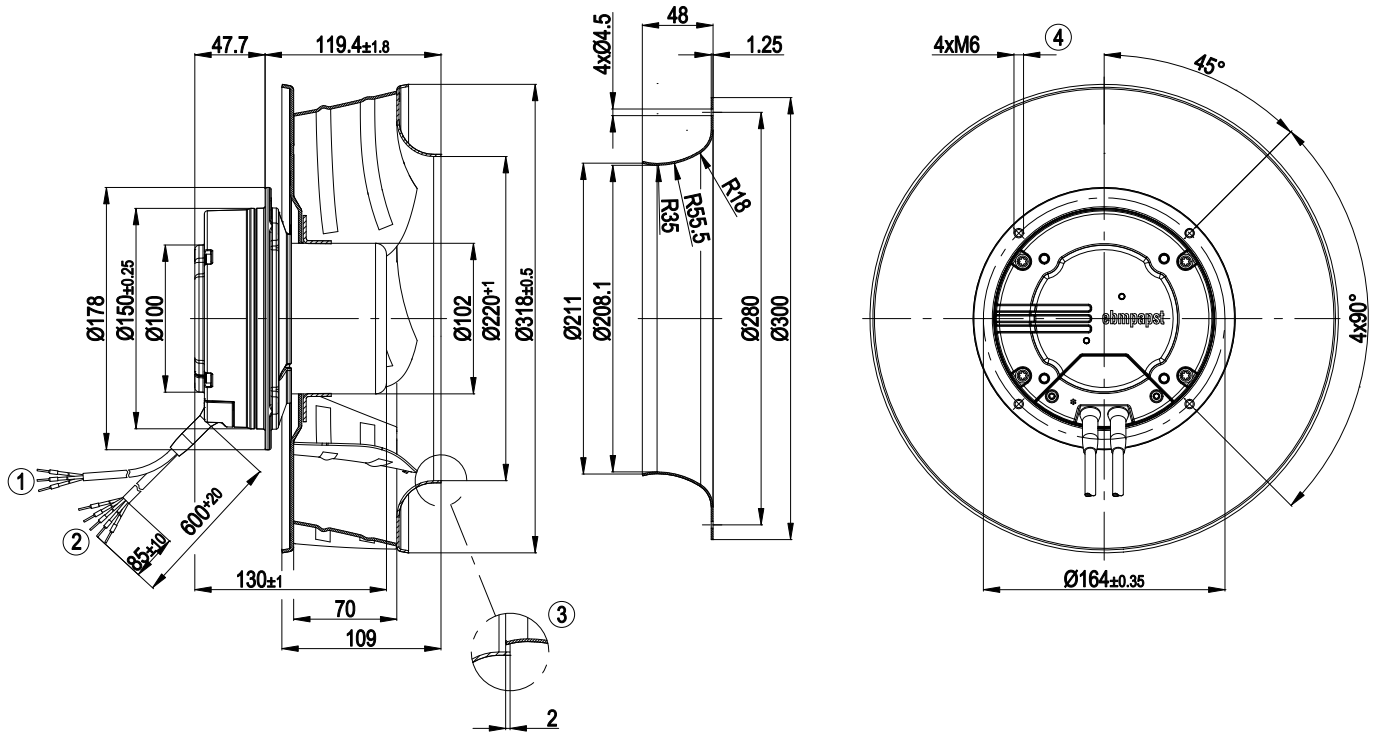
Type	R3G310-AJ40-71	
Motor	M3G084-DF	
Phase		1~
Nominal voltage	[VAC]	230
Nominal voltage range	[VAC]	200 .. 277
Frequency	[Hz]	50/60
Type of data definition		ml
Speed	[min ⁻¹]	2430
Power input	[W]	485
Current draw	[A]	2,9
Min. ambient temperature	[°C]	-25
Max. ambient temperature	[°C]	40
Air flow	[m ³ /h]	1530
Back pressure	[Pa]	600
Sound pressure level	[dB(A)]	77,8

ml = max. load · me = max. efficiency · rfa = running at free air · cs = customer specs · cu = customer unit
Subject to alterations

Technical features

Leakage current	<= 3,5 mA
General description	Integrated electronics
Size	310 mm
Operation mode	S1
Direction of rotation	Clockwise, seen on rotor
Mounting position	Shaft horizontal or rotor on top; rotor on bottom on request
EMC harmonics	Acc. to EN 61000-3-2/3
EMC interference emission	Acc. to EN 61000-6-3
EMC interference immunity	Acc. to EN 61000-6-2
Insulation class	"B"
Cable exit	Variable
Condensate discharge holes	None
Bearing motor	Ball bearing
Mass	4.56 kg
Material of electronics housing	Die-cast aluminium
Material of impeller	Aluminum sheet, laser-welded
Motor protection	Thermal overload protector (TOP) wired internally
Product conforming to standard	EN 61800-5-1
Surface of rotor	Coated in black
Number of blades	6
Type of protection	IP 44 - depending on position
Protection class	I
Technical features	<ul style="list-style-type: none"> - Control input 0-10 VDC / PWM - Output 10 VDC, max. 1.1 mA - Alarm relay - Over-temperature protected electronics / motor
Max. permissible ambient motor temp. (transp./ storage)	+80 °C
Min. permissible ambient motor temp. (transp./storage)	-40 °C
Approval	CCC; CSA C22.2 Nr.77; UL 2111

Product drawing

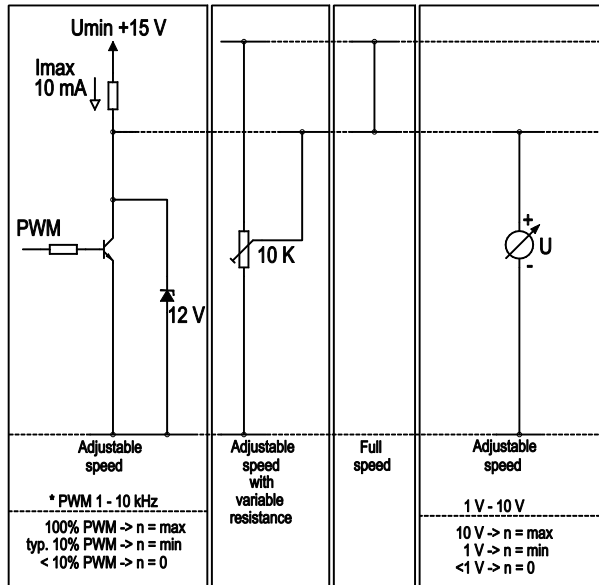


1	Connection line AWG22, 3 x crimped core-end sleeves
2	Connection line AWG18, 5 x crimped core-end sleeves
3	Accessory part: inlet nozzle 31050-2-4013 not included in the standard scope of delivery; other inlet nozzles on request
4	Depth of screw 8 - 10 mm

Connection screen

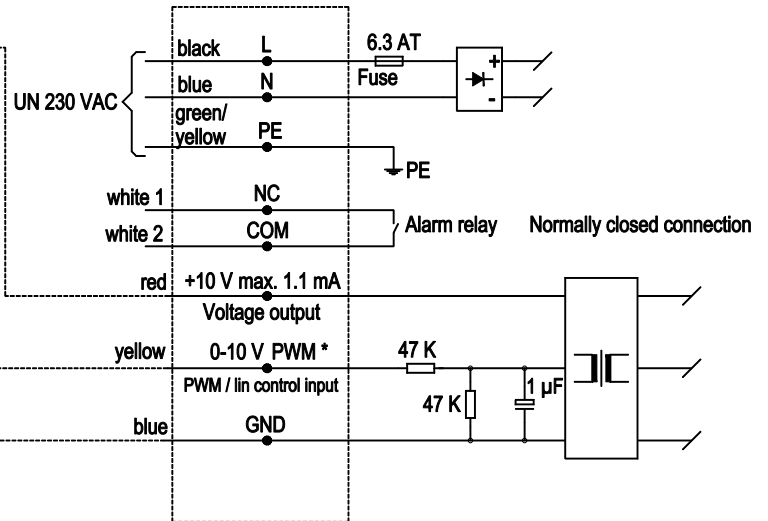
Customer circuit

Notes on various control possibilities and their applications

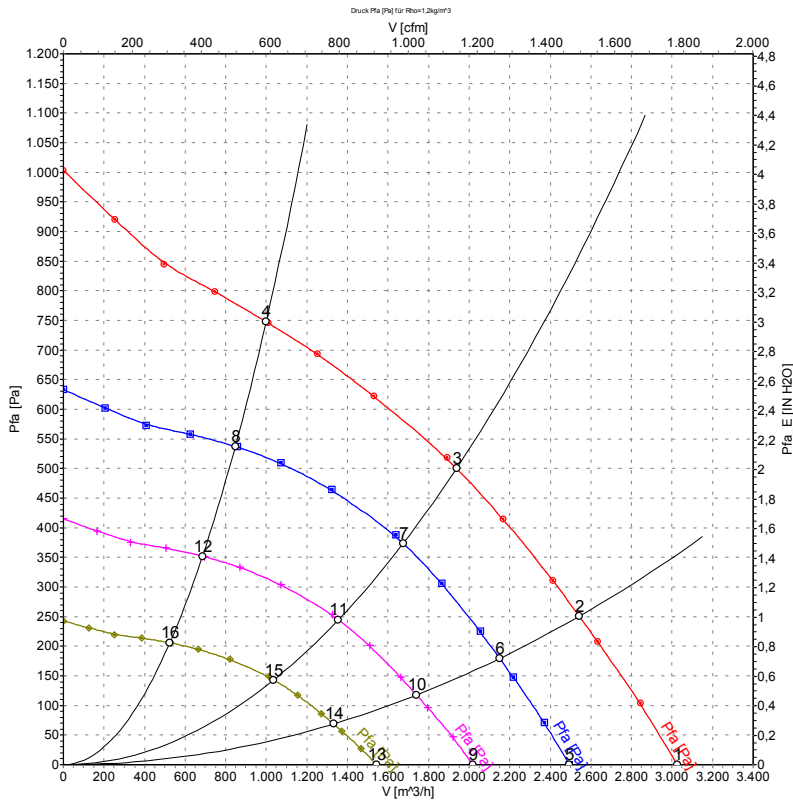


Connection

Fan / motor



Charts: Air flow 50 Hz



Measured values

	U	f	n	P ₁	I	\hat{V}	P _{fa}
	[V]	[Hz]	[min ⁻¹]	[W]	[A]	[m ³ /h]	[Pa]
1	230	50	2550	357	2.17	3030	0
2	230	50	2485	434	2.62	2545	250
3	230	50	2430	485	2.90	1940	500
4	230	50	2475	450	2.72	1000	750
5	230	50	2100	200	1.21	2495	0
6	230	50	2100	262	1.59	2150	179
7	230	50	2100	308	1.87	1675	375
8	230	50	2100	274	1.66	845	538
9	230	50	1700	106	0.64	2020	0
10	230	50	1700	139	0.84	1740	118
11	230	50	1700	164	0.99	1355	246
12	230	50	1700	146	0.88	685	352
13	230	50	1300	47	0.29	1545	0
14	230	50	1300	62	0.38	1330	69
15	230	50	1300	73	0.44	1035	144
16	230	50	1300	65	0.39	525	206