

for Split Type Comfort Series

Specifications

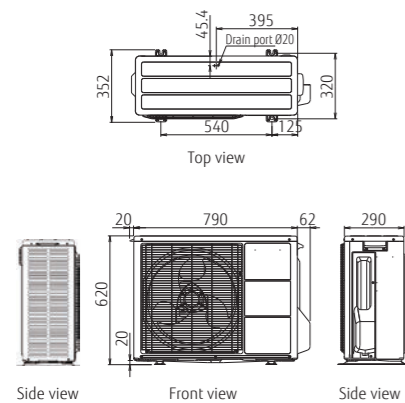
Model Name	Hydraulic indoor unit		WSHA050DG		WSHA100DG		WSHA100DG		WSHA100DG	
	Outdoor unit		WOHA060LFCA		WOHA060LFCA		WOHA080LFCA		WOHA100LFTA	
Capacity range			5		6		8		10	
7°C/35°C floor heating *1	Heating capacity	kW	4.50		6.00		7.50		10.00	
	Input power		0.996		1.41		1.84		2.49	
	COP		4.52		4.27		4.08		4.02	
2°C/35°C floor heating *1	Heating capacity	kW	4.50		4.95		5.65		7.70	
	Input power		1.39		1.53		1.78		2.47	
	COP		3.24		3.24		3.17		3.12	
-7°C/35°C floor heating *1	Heating capacity	kW	4.10		4.60		5.70		7.40	
	Input power		1.47		1.74		2.23		2.97	
	COP		2.79		2.64		2.56		2.49	
Space heating characteristics**										
Temperature application	°C		55		35		55		35	
Energy efficiency class			A+		A++		A+		A++	
Rated heat output (P _{rated})	kW		4		4		5		5	
Seasonal space heating energy efficiency (η _s)	%		115		169		118		156	
Annual energy consumption	kWh		3,026		2,160		3,180		2,505	
Sound power level	Hydraulic indoor unit		46		46		46		46	
	Outdoor unit		65		60		65		63	
Hydraulic indoor unit Specification										
Power source			Single-phase 230 V 50 Hz		Single-phase 230 V 50 Hz		Single-phase 230 V 50 Hz		Single-phase 230 V 50 Hz	
Dimensions H×W×D	mm		800 × 450 × 457		800 × 450 × 457		800 × 450 × 457		800 × 450 × 457	
Weight (Net)	kg		42		42		42		42	
Water circulation	Min/Max		L/min		8.1/16.2		10.8/21.7		13.5/27.1	
Buffer tank capacity	L		16		16		16		16	
Expansion vessel capacity	L		8		8		8		8	
Leaving water temperature range	Max		°C		55		55		55	
Water pipe connection diameter	Flow/Return		mm		Ø 25.4/Ø 25.4		Ø 25.4/Ø 25.4		Ø 25.4/Ø 25.4	
Outdoor unit specification										
Power source			Single-phase 230 V 50 Hz		Single-phase 230 V 50 Hz		Single-phase 230 V 50 Hz		3-phase, 400 V 50 Hz	
Current	Max		A		12.5		17.5		18.5	
Dimensions H × W × D	mm		620 × 790 × 290		620 × 790 × 290		620 × 790 × 290		830 × 900 × 330	
Weight (Net)	kg		41		41		42		60	
Refrigerant	Type (Global Warming Potential)		R410A (2,088)		R410A (2,088)		R410A (2,088)		R410A (2,088)	
	Charge		kg		1.10		1.40		1.80	
Additional refrigerant charge amount	g/m		25		25		40		40	
Connection pipe	Diameter	Liquid	mm		Ø 12.7		Ø 6.35		Ø 15.88	
		Gas	mm		Ø 12.7		Ø 6.35		Ø 15.88	
	Length	Min/Max	m		5/30		5/30		5/30	
		Length(Pre-charge)	m		15		15		15	
Height difference	Max	m		20		20		20		
	Heating	°C		-20 to 35		-20 to 35		-20 to 35		

*1: The values of heating capacity/input power/COP are based on measurement of EN14511 standard. Usage environment, such as operation of the heating equipment, room temperature, and controller adjustments, may cause disparities between practically determined values and these values.

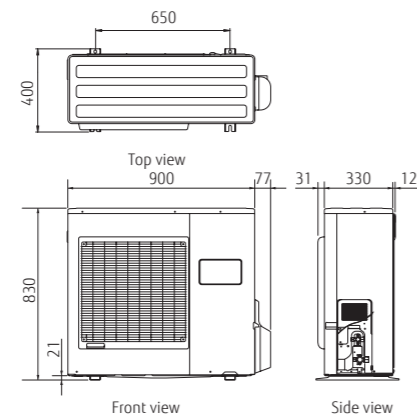
*2: All information of ErP can be available for download from <https://www.fujitsu-general.com/global/support/downloads/search/index.html>

Dimensions

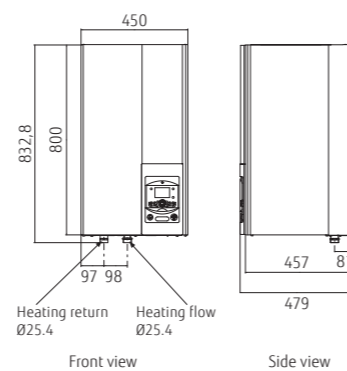
Outdoor Unit:
WOHA060LFCA/WOHA080LFCA



WOHA100LFTA



Hydraulic Indoor Unit:
WSHA050DG/WSHA100DG



for Split DHW Integrated Type Super High Power Series

Specifications

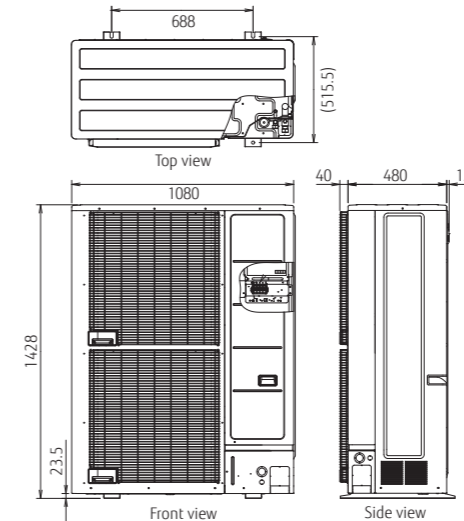
Model Name	Hydraulic indoor unit		WGHG160DJ6		WGHK170DJ9		WGHK170DJ9	
	Outdoor unit		WOHG160LJL		WOHK150LJL		WOHK170LJL	
Capacity range			16		15		17	
7°C/35°C floor heating *1	Heating capacity	kW	16.00		15.00		17.00	
	Input power		3.86		3.46		4.10	
	COP		4.15		4.33		4.15	
2°C/35°C floor heating *1	Heating capacity	kW	13.30		13.20		13.50	
	Input power		4.25		4.06		4.27	
	COP		3.13		3.25		3.16	
-7°C/35°C floor heating *1	Heating capacity	kW	14.50		13.20		15.00	
	Input power		5.27		4.55		5.32	
	COP		2.75		2.90		2.82	
Space heating characteristics**								
Temperature application	°C		55		35		55	
Energy efficiency class			A++		A++		A++	
Rated heat output (P _{rated})	kW		14		16		17	
Seasonal space heating energy efficiency (η _s)	%		125		163		130	
Annual energy consumption	kWh		8,757		8,014		9,915	
Sound power level	Hydraulic indoor unit		45		45		45	
	Outdoor unit		67		66		67	
Domestic hot water characteristics**								
Load profile			L		L		L	
Energy efficiency class			A		A		A	
Energy efficiency (η _{wh})	%		109		109		109	
Annual electricity consumption	kWh		941		941		941	
Hydraulic indoor unit Specification								
Power source			Single-phase, 230 V 50 Hz		3-phase, 400 V 50 Hz		3-phase, 400 V 50 Hz	
Dimensions H×W×D	mm		1,841 × 648 × 698		1,841 × 648 × 698		1,841 × 648 × 698	
Weight (Net)	kg		166		166		166	
Water circulation	L/min		26.4/57.8		24.0/54.2		27.3/61.4	
DHW capacity	L		190		190		190	
Hot water heater capacity	kW		1.5		1.5		1.5	
Expansion vessel capacity	L		12		12		12	
Leaving water temperature range	Max		°C		60		60	
Water pipe connection diameter	Flow/Return		mm		Ø 25.4/Ø 25.4		Ø 25.4/Ø 25.4	
Hot water pipe connection diameter	mm		Ø 19.05		Ø 19.05		Ø 19.05	
Backup heater	Capacity		kW		6.0(3.0kW×2pcs.)		9.0(3.0kW×3pcs.)	
Outdoor unit specification								
Power source			Single-phase, 230 V 50 Hz		3-phase, 400 V 50 Hz		3-phase, 400 V 50 Hz	
Current	Max		A		28.0		14.0	
Dimensions H × W × D	mm		1,428 × 1,080 × 480		1,428 × 1,080 × 480		1,428 × 1,080 × 480	
Weight (Net)	kg		137		138		138	
Refrigerant	Type (Global Warming Potential)		R410A (2,088)		R410A (2,088)		R410A (2,088)	
	Charge		kg		3.80		3.80	
Additional refrigerant charge amount	g/m		50		50		50	
Connection pipe	Diameter	Liquid	mm		Ø 9.52		Ø 9.52	
		Gas	mm		Ø 15.88		Ø 15.88	
	Length	Min/Max	m		5/30		5/30	
		Length(Pre-charge)	m		15		15	
Height difference	Max	m		15		15		
	Heating	°C		-25 to 35		-25 to 35		

*1: The values of heating capacity/input power/COP are based on measurement of EN14511 standard. Usage environment, such as operation of the heating equipment, room temperature, and controller adjustments, may cause disparities between practically determined values and these values.

*2: All information of ErP can be available for download from <https://www.fujitsu-general.com/global/support/downloads/search/index.html>

Dimensions

Outdoor Unit:
Single Phase: WOHG160LJL
3 Phase: WOHK150LJL/WOHK170LJL



Hydraulic Indoor Unit:
Single Phase: WGHG160DJ6
3 Phase: WGHK170DJ9

