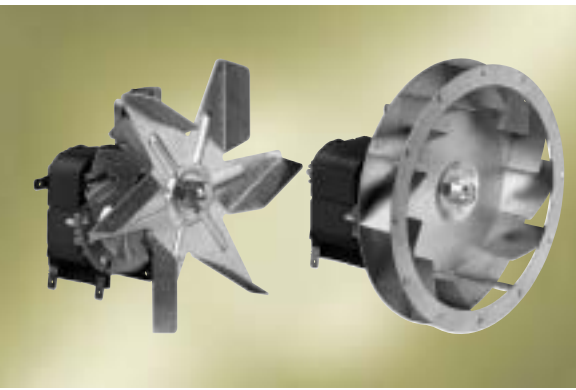


Hot air blowers

RRL 152, RRL 160



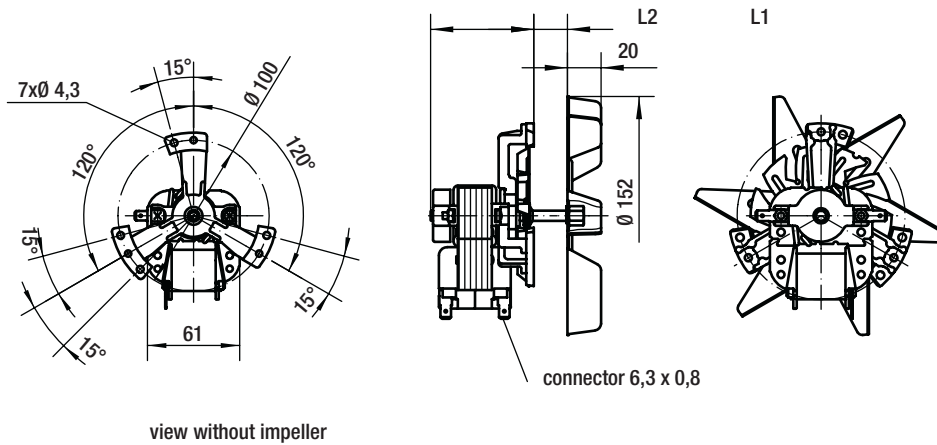
- bearing: RRL 152 ball bearings
RRL 160 sintered sleeve bearings with additional lubricant depot
- mounting position: RRL 152 all mounting positions possible
RRL 160 horizontal shaft
- impeller: RRL 152 FAL sheet steel
RRL 160 galvanized sheet steel
- insulation class: H (EN 60335)

ebm-papst • Landshut

Nominal data	rated voltage	frequency	air flow	max. pressure increase	power input	speed	mass	recommended air intake	Dimensions mm	
									type	V
RRL152-3030LH	230	50	200	150	45	2200	1	120	30	71
RRL160-3038LH	230	50	210	200	37	1600	1,4	120	26	79

Technical data valid for typical applications; bold print = standard type; subject to alterations

RRL 152



RRL 160

