

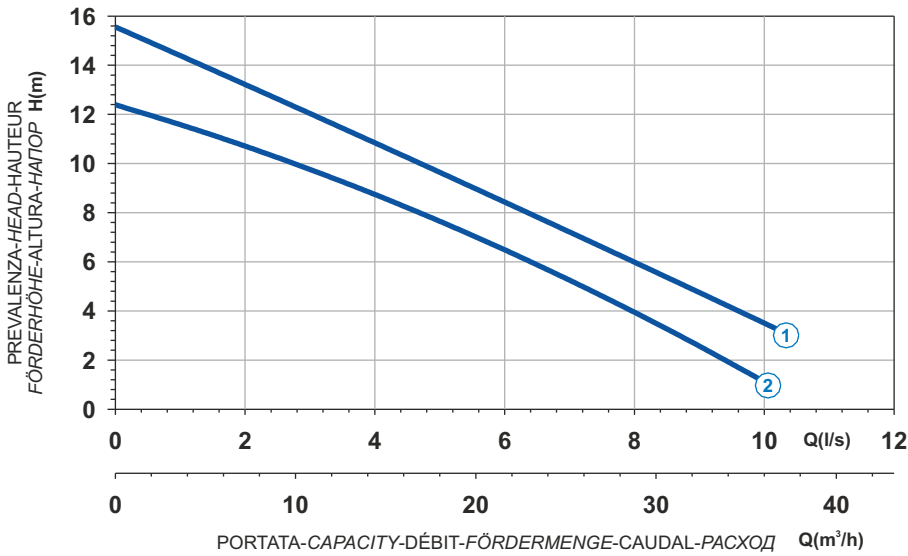

 Ghisa EN-GJL-250  
 Fonte EN-GJL-250  
 Hierro fundido EN-GJL-250

 Cast Iron EN-GJL-250  
 Grauguss EN-GJL-250  
 Чугун EN-GJL-250

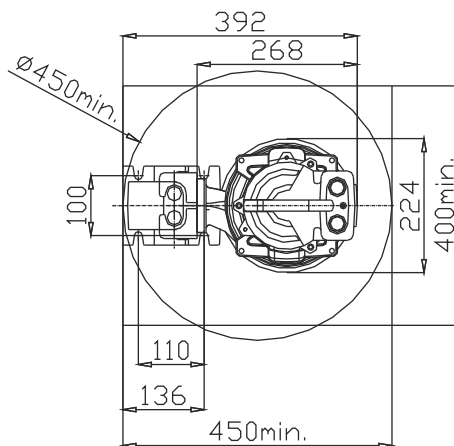
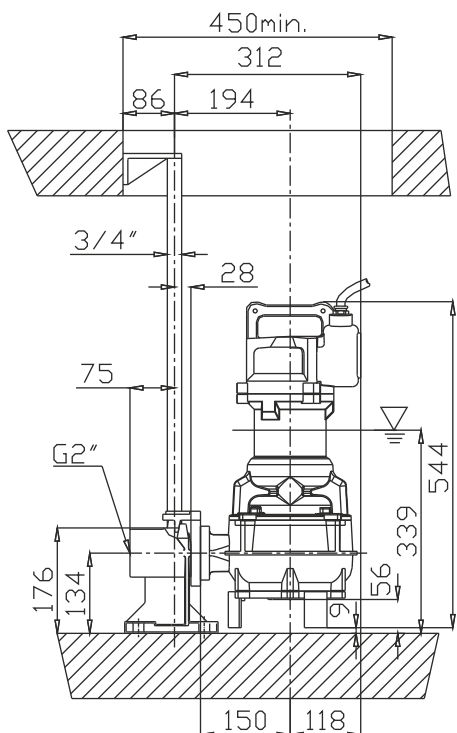
**Curva caratteristica - Performance curve - Courbe caractéristique  
Kennlinie - Curva característica - Характеристическая кривая**



Curve N°	Code	Type	MOTOR			ATEX code 
			Rated power P2 (kW)	Rated current I (A)	Starting current Is (A)	
1	7005419	G271T3V1-K50AA0	2,4	4,5	26,6	7005697
2	7005996	G271T3V2-K50AA0	1,8	3,5	17,2	7006433

Power supply	3ph 400V 50Hz
R.P.M.	2850
Free passage (mm)	50
Discharge (mm)	DN 50
Max Weight (Kg)	43

**Dimensioni - Dimensions - Dimensions - Abmessungen - Dimensiones - Габариты (mm)**



▽ LIVELLO MINIMO DI SOMMERGIBILITÀ  
 MINIMUM SUBMERSIBLE LEVEL  
 NIVEAU MINIMUM D'IMMERSION  
 MINDESTWASSERSTAND  
 NIVEL SUMERGIBLE MÍNIMO  
 МИНИМАЛЬНАЯ ГЛУБИНА ПОГРУЖЕНИИ

