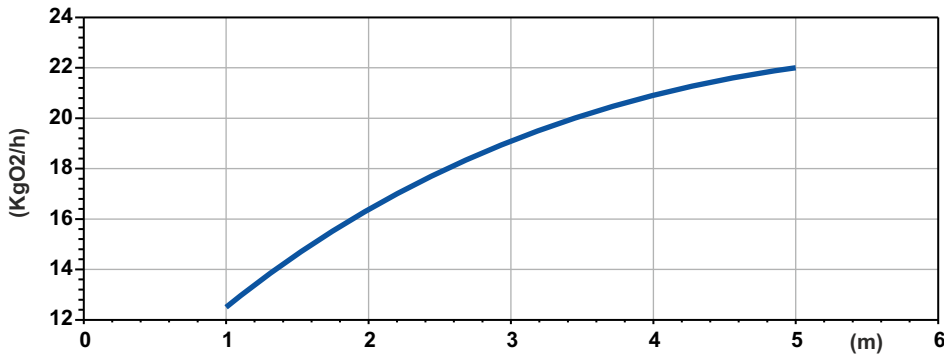
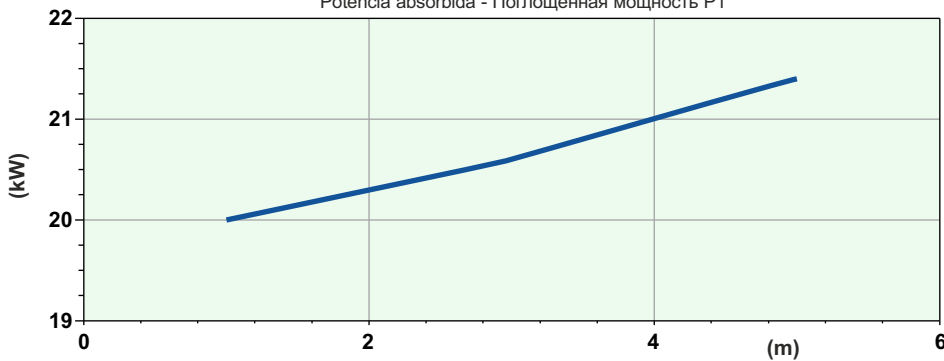


OJ 2230-200

SOTR



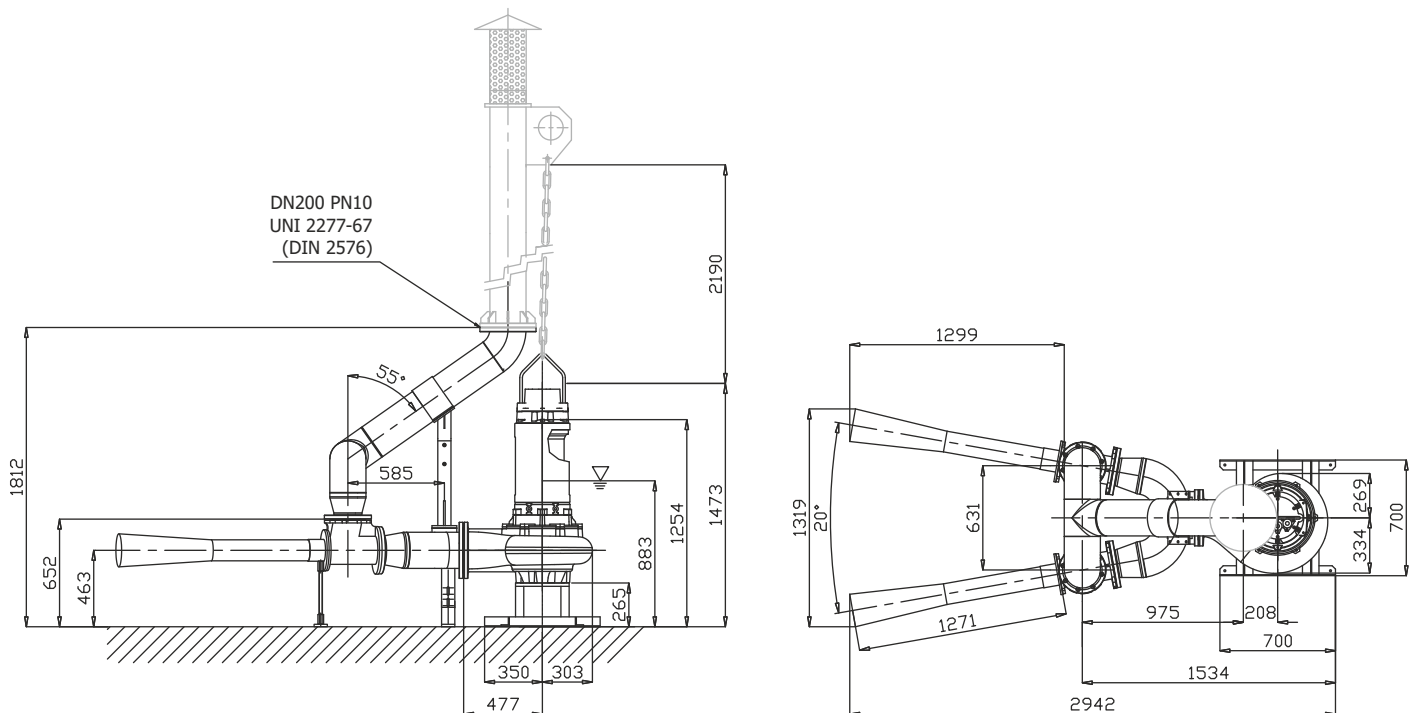
Potenza Assorbita - Absorbed Power P1
 Puissance Absorbée - Leistungsaufnahme P1
 Potencia absorbida - Поглощенная мощность P1



Battente idraulico - Hydraulic head - Charge hydraulique - Hydraulischen Belastung
 Cabezal hidráulico - Аспирированный воздух

Code	4001481
Type	OJ2230-200
Rated Power P2 (kW)	23
Rated Current I (A)	40,6
Starting Current Is (A)	239
Pump type	G616R3C1-T102AA2
Power supply	3ph 400/690V 50Hz
R.P.M.	960
Free passage (mm)	102
Suction (mm)	DN 200
Weight (Kg)	680
Cable	H07RN/F 10G4
SOTR OBTAINED FOLLOWING STANDARD UNI EN 12255-15:2004	

Dimensioni - Dimensions - Dimensions - Abmessungen - Dimensiones - Габариты (mm)



LIVELLO MINIMO DI SOMMERGIBILITÀ - MINIMUM SUBMERSIBLE LEVEL - NIVEAU MINIMUM D'IMMERSION
 MINDESTWASSERSTAND - NIVEL SUMERGIBLE MÍNIMO - МИНИМАЛЬНАЯ ГЛУБИНА ПОГРУЖЕНИЯ