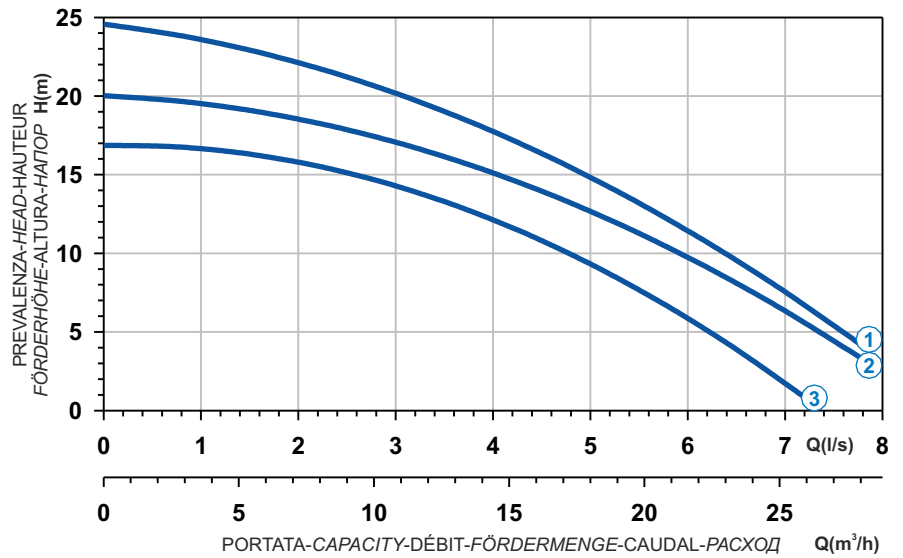




Ghisa EN-GJL-250
 Fonte EN-GJL-250
 Hierro fundido EN-GJL-250

Cast Iron EN-GJL-250
 Grauguss EN-GJL-250
 Чугун EN-GJL-250

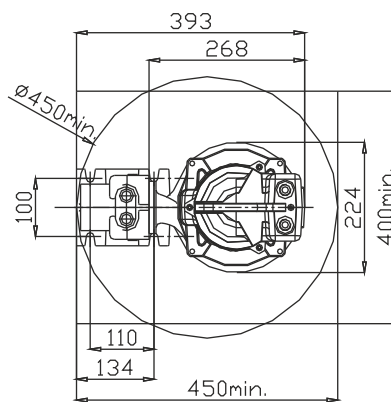
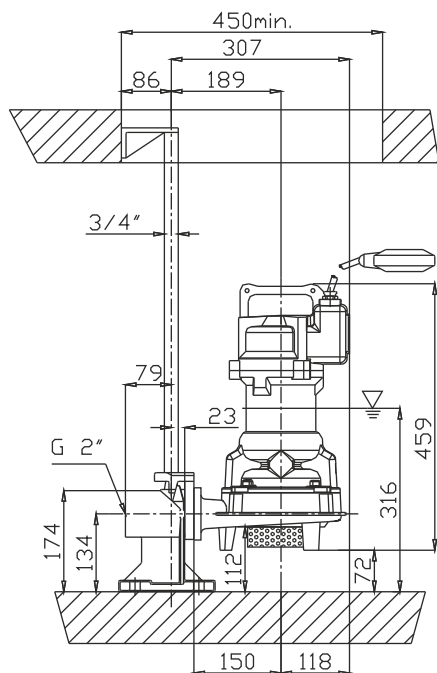
Curva caratteristica - Performance curve - Courbe caractéristique
 Kennlinie - Curva característica - Характеристическая кривая



Power supply	1ph 230V-50Hz
R.P.M.	2850
Free passage (mm)	6
Discharge (mm)	DN 40
Max Weight (Kg)	38

Curve N°	Code	Type	MOTOR			ATEX code
			Rated power P2 (kW)	Rated current I (A)	Starting current Is (A)	
1	7003536	G271M6D1-J6AB1	1,9	11,4	62,7	7002810
2	7003535	G271M6D2-J6AB1	1,5	9	33,3	7003547
3	7003534	G271M6D3-J6AB1	1,5	9	33,3	7003548

Dimensioni - Dimensions - Dimensions - Abmessungen - Dimensiones - Габариты (mm)



▽ LIVELLO MINIMO DI SOMMERGIBILITÀ
 MINIMUM SUBMERSIBLE LEVEL
 NIVEAU MINIMUM D'IMMERSION
 MINDESTWASSERSTAND
 NIVEL SUMERGIBLE MÍNIMO
 МИНИМАЛЬНАЯ ГЛУБИНА ПОГРУЖЕНИЯ

