

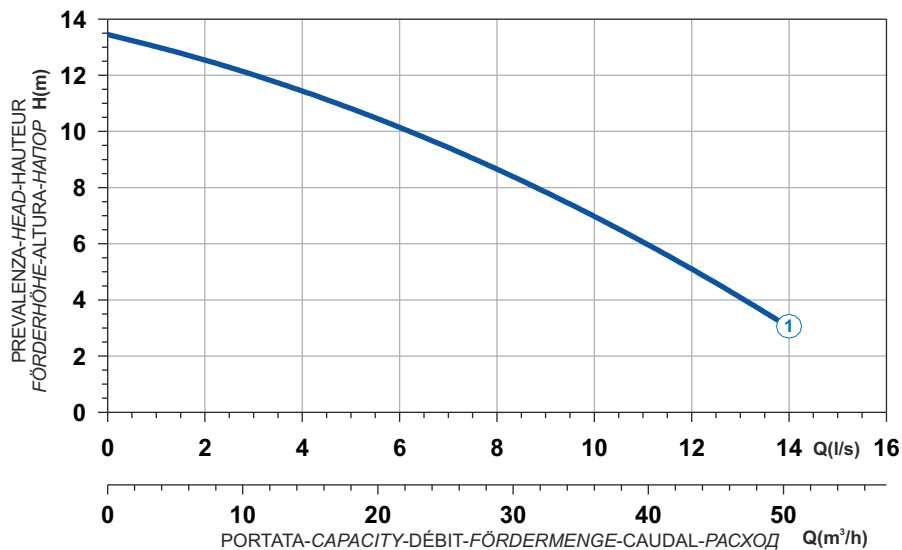
 Ghisa EN-GJL-250  
 Fonte EN-GJL-250  
 Hierro fundido EN-GJL-250

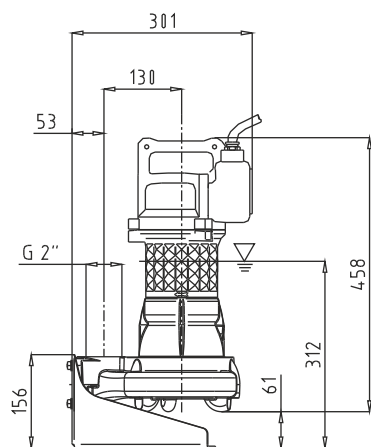
 Cast Iron EN-GJL-250  
 Grauguss EN-GJL-250  
 Чугун EN-GJL-250

Curva caratteristica - Performance curve - Courbe caractéristique  
 Kennlinie - Curva característica - Характеристическая кривая

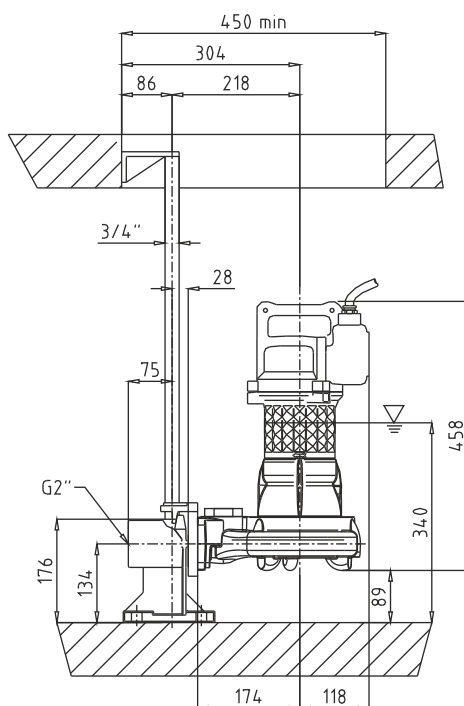


| Curve N° | Code    | Type            | MOTOR         |        |                     |                     | Free passage (mm) | Discharge | Weight (Kg) |
|----------|---------|-----------------|---------------|--------|---------------------|---------------------|-------------------|-----------|-------------|
|          |         |                 | Power supply  | R.P.M. | Rated power P2 (kW) | Rated current I (A) |                   |           |             |
| 1        | 7003256 | G272T2P1-G25AA0 | 3ph 400V 50Hz | 2850   | 2,2                 | 4,1                 | 25                | 2"        | 36          |
|          | 7003785 | G272T2P1-K25AA0 | 3ph 400V 50Hz | 2850   | 2,2                 | 4,1                 | 25                | 50        | 36          |

## Dimensioni - Dimensions - Dimensions - Abmessungen - Dimensiones - Габариты (mm)



G272T2P1-G25AA0



G272T2P1-K25AA0

▽ LIVELLO MINIMO DI SOMMERGIBILITÀ  
 MINIMUM SUBMERSIBLE LEVEL  
 NIVEAU MINIMUM D'IMMERSION  
 MINDESTWASSERSTAND  
 NIVEL SUMERGIBLE MÍNIMO  
 МИНИМАЛЬНАЯ ГЛУБИНА ПОГРУЖЕНИЯ

