




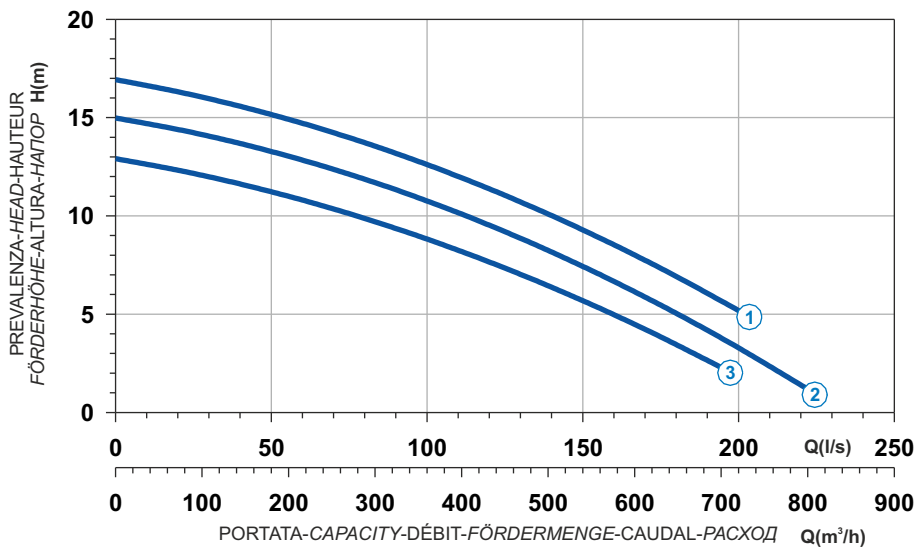

 Ghisa EN-GJL-250  
 Fonte EN-GJL-250  
 Hierro fundido EN-GJL-250

 Cast Iron EN-GJL-250  
 Grauguss EN-GJL-250  
 Чугун EN-GJL-250

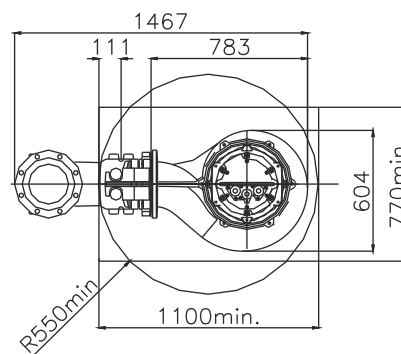
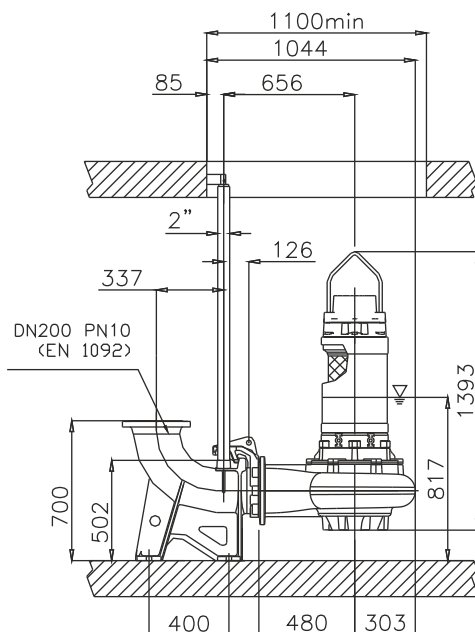
**Curva caratteristica - Performance curve - Courbe caractéristique**  
**Kennlinie - Curva característica - Характеристическая кривая**



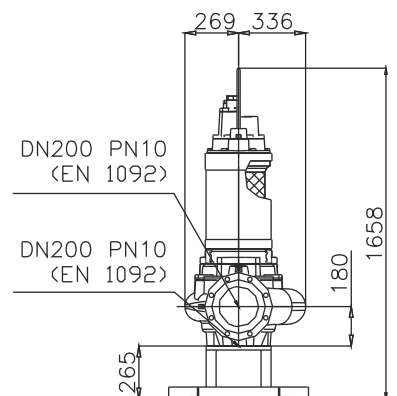
| Curve N° | Code    | Type             | MOTOR               |                     |                         | ATEX code  |
|----------|---------|------------------|---------------------|---------------------|-------------------------|---|
|          |         |                  | Rated power P2 (kW) | Rated current I (A) | Starting current Is (A) |   |
| 1        | 7009953 | G616R3C1-T102AA2 | 23                  | 40,6                | 240                     | 7007671   |
| 2        | 7009951 | G616R3C2-T102AA2 | 18,9                | 34,8                | 205                     | 7007670   |
| 3        | 7009952 | G616R3C3-T102AA2 | 15,8                | 29,6                | 175                     | 7007425   |

|                   |                   |
|-------------------|-------------------|
| Power supply      | 3ph 400/690V 50Hz |
| R.P.M.            | 950               |
| Free passage (mm) | 102               |
| Discharge (mm)    | DN 200            |
| Max Weight (Kg)   | 460               |

## Dimensioni - Dimensions - Dimensions - Abmessungen - Dimensiones - Габариты (mm)



▽ LIVELLO MINIMO DI SOMMERGIBILITÀ  
 MINIMUM SUBMERSIBLE LEVEL  
 NIVEAU MINIMUM D'IMMERSION  
 MINDESTWASSERSTAND  
 NIVEL SUMERGIBLE MÍNIMO  
 МИНИМАЛЬНАЯ ГЛУБИНА ПОГРУЖЕНИЯ



Versione disponibile con mantello di raffreddamento - Type available also with cooling jacket  
 Version disponible avec chemise de refroidissement - Ausführung auch mit Kühlmantel lieferbar  
 Disponible también con camisa de refrigeración - Вариант доступен с рубашкой охлаждения