




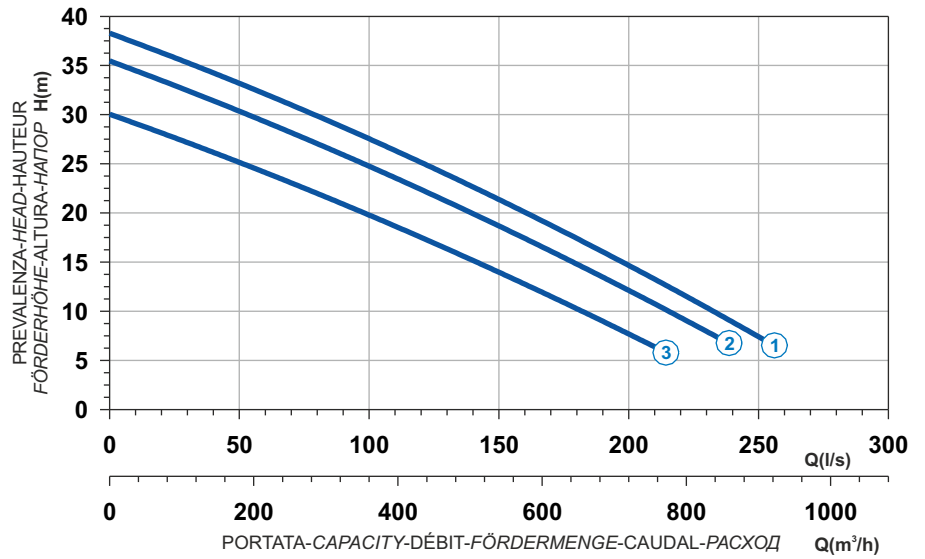

 Ghisa EN-GJL-250
 Fonte EN-GJL-250
 Hierro fundido EN-GJL-250

 Cast Iron EN-GJL-250
 Grauguss EN-GJL-250
 Чугун EN-GJL-250

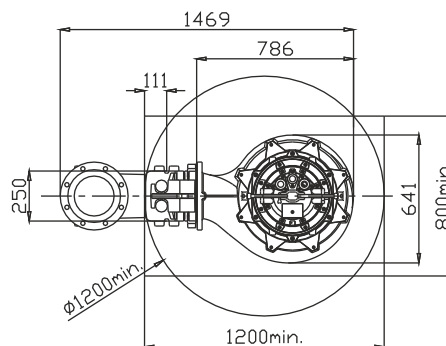
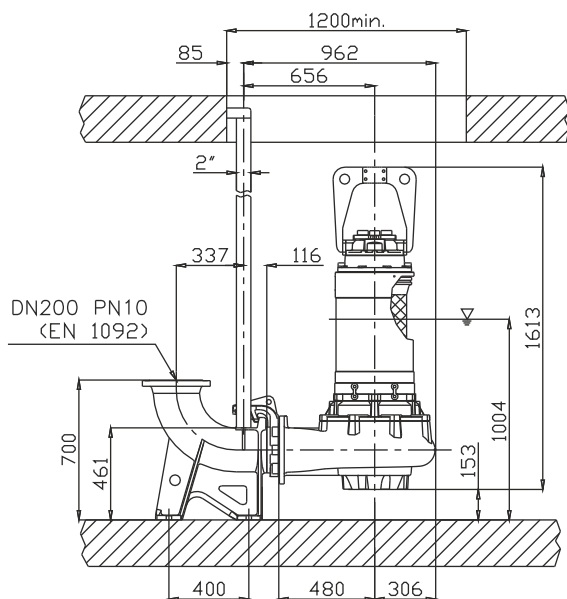
Curva caratteristica - Performance curve - Courbe caractéristique
Kennlinie - Curva característica - Характеристическая кривая



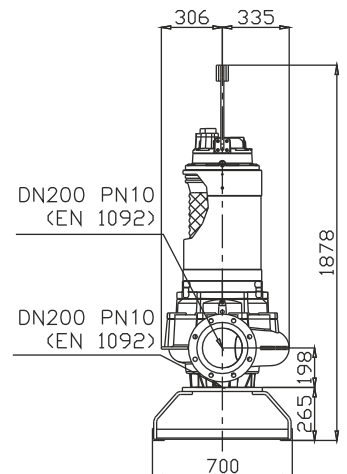
| | |
|-------------------|-------------------|
| Power supply | 3ph 400/690V 50Hz |
| R.P.M. | 1450 |
| Free passage (mm) | 102 |
| Discharge (mm) | DN 200 |
| Max Weight (Kg) | 665 |

| Curve N° | Code | Type | MOTOR | | | ATEX code |  |
|----------|---------|------------------|---------------------|---------------------|-------------------------|-----------|---|
| | | | Rated power P2 (kW) | Rated current I (A) | Starting current Is (A) | | |
| 1 | 7000396 | G420R2C1-T102AA2 | 48 | 85,2 | 503 | - | |
| 2 | 7000463 | G420R2C2-T102AA2 | 44 | 78,1 | 461 | - | |
| 3 | 7000468 | G420R2C3-T102AA2 | 40 | 71,3 | 421 | - | |

Dimensioni - Dimensions - Dimensions - Abmessungen - Dimensiones - Габариты (mm)



▽ LIVELLO MINIMO DI SOMMERGIBILITÀ
 MINIMUM SUBMERSIBLE LEVEL
 NIVEAU MINIMUM D'IMMERSION
 MINDESTWASSERSTAND
 NIVEL SUMERGIBLE MÍNIMO
 МИНИМАЛЬНАЯ ГЛУБИНА ПОГРУЖЕНИИ



Versione disponibile con mantello di raffreddamento - Type available also with cooling jacket
 Version disponible avec chemise de refroidissement - Ausführung auch mit Kühlmantel lieferbar
 Disponible también con camisa de refrigeración - Вариант доступен с рубашкой охлаждения